

## 2.4mm Male to Male Precision Coaxial Adapter

2441-PS

### MECHANICAL SPECIFICATIONS

Interface	2.4mm
Gender 1	Male
Gender 2	Male
Standard	IEC 61169-40
Geometry	Straight
Durability	>500 mating
Weight	11.2 g

### ELECTRICAL SPECIFICATIONS

Impedance	50 Ω
Frequency range	DC – 50 GHz
VSWR	≤1.20
Working voltage	150 V <sub>RMS</sub>
Dielectric withs. voltage	500 V <sub>RMS</sub>
Insulation resistance	≥5000 MΩ

### MATERIAL SPECIFICATIONS

COMPONENT	MATERIAL	FINISHING
Body, Nut	Stainless steel	Passivated
Center contact	BeCu	Gold
Insulator	PEI	-

### ENVIRONMENTAL SPECIFICATIONS

Temperature range	-55 / +165 °C
RoHS	Compliant (2011/65/EU   RoHS 3)
REACH	Compliant (EC 1907/2006)



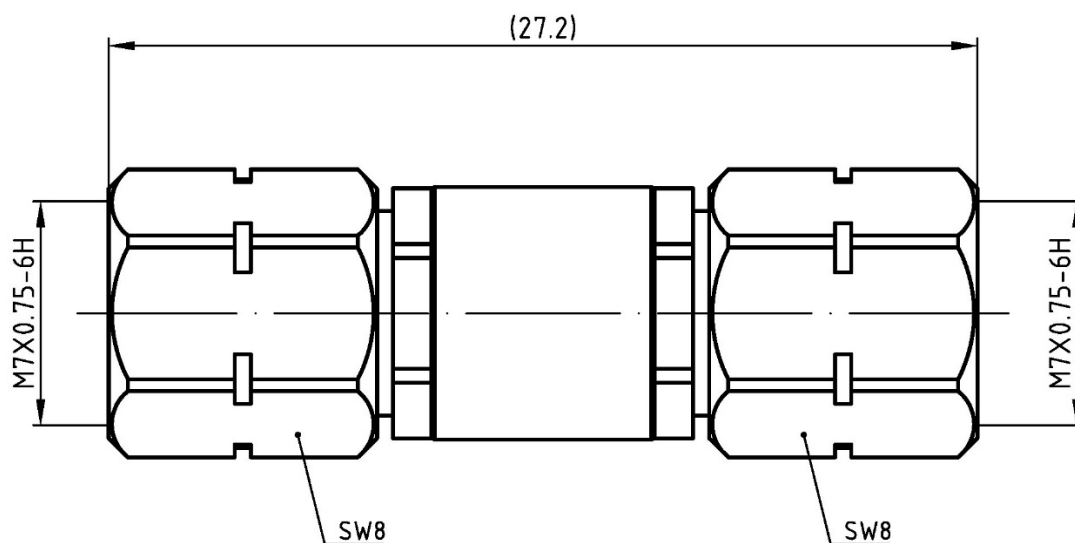
### KEY FEATURES

- Precision microwave performance up to 50 GHz
- Low VSWR for high-frequency applications
- Passivated stainless-steel construction
- 1-year standard warranty



### DRAWING

Unit: mm



## 2.4mm Male to Male Precision Coaxial Adapter

2441-PS

