

RUC 2.92mm Female to N-Type Female VNA Port Adapter

RUC2.92-N40-PS

MECHANICAL SPECIFICATIONS		
Interface 1	RUC 2.92mm	
Gender 1	Female	
Interface 2	N	
Gender 2	Female	
Standard	MIL-STD-348A	
Geometry	Straight	
Torque	0.9 Nm	
Torque (ruggedized nut)	1.36 Nm	
Durability	≥500 mating	
Weight	62 g	
ELECTRICAL SPECIFICATIONS		
Impedance	50 Ω	
Frequency range	DC– 18 GHz	
VSWR	≤1.15	
Insertion loss	≤0.15 dB	
Working voltage	335 V _{RMS}	
Dielectric withs. voltage	1000 V _{RMS}	
Insulation resistance	≥5000 MΩ	
MATERIAL SPECIFICATIONS		
COMPONENT	MATERIAL	FINISHING
Body, Nut	Stainless steel	Passivated
Center contact	BeCu	Gold
Insulator	PEI	-
ENVIRONMENTAL SPECIFICATIONS		
Temperature range	-55 / +165 °C	
RoHS	Compliant (2011/65/EU RoHS 3)	
REACH	Compliant (EC 1907/2006)	

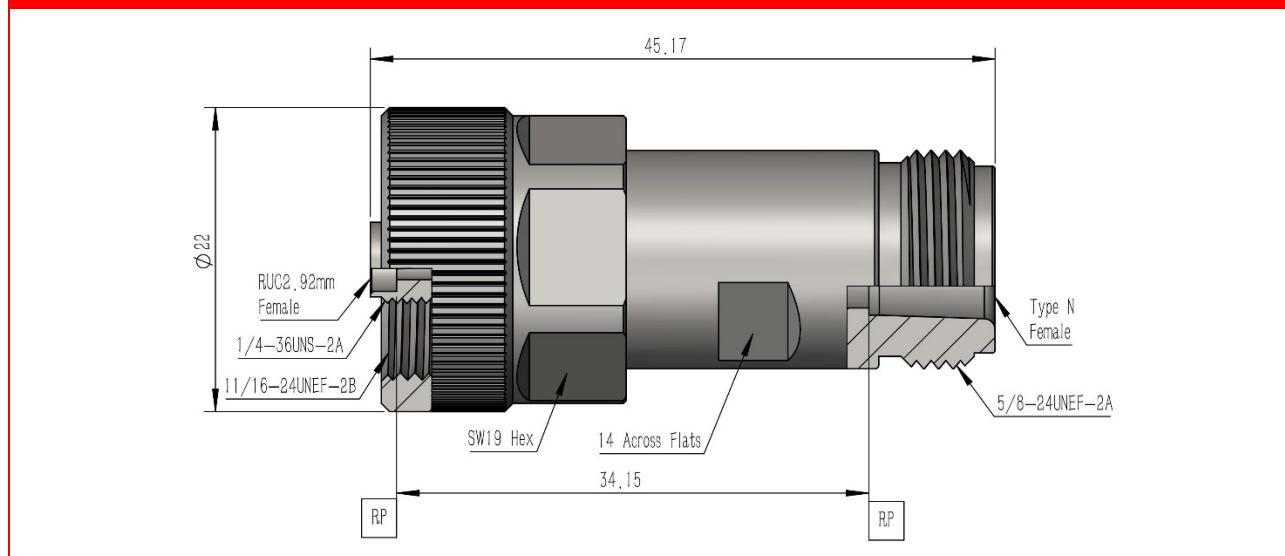


KEY FEATURES

- Ruggedized 2.92mm precision interface (RUC), DC–18 GHz
- Low RL performance (VSWR ≤ 1.15)
- Robust stainless steel construction
- 1-year standard warranty



DRAWING Unit: mm



RUC 2.92mm Female to N-Type Female VNA Port Adapter

RUC2.92-N40-PS

