


N Female to SMA Male Precision Coaxial Adapter



N-SMA42-2PS

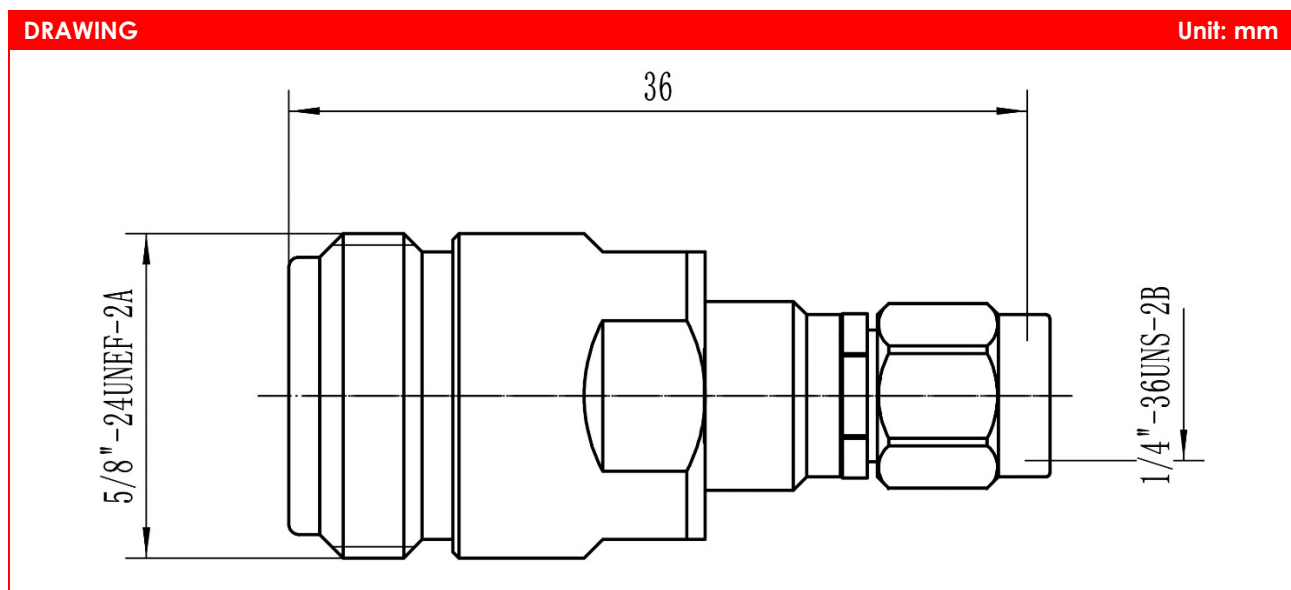
MECHANICAL SPECIFICATIONS		
Interface 1	N	
Gender 1	Female	
Standard 1	MIL-STD-348A	
Interface 2	SMA	
Gender 2	Male	
Standard 2	MIL-STD-348A	
Geometry	Straight	
Durability	≥500 mating	
Weight	28 g	
ELECTRICAL SPECIFICATIONS		
Impedance	50 Ω	
Frequency range	DC – 18 GHz	
VSWR	≤1.15	
Insertion loss	≤0.2 dB	
Working voltage	335 V _{RMS}	
Dielectric withs. voltage	1000 V _{RMS}	
Insulation resistance	≥5000 MΩ	
MATERIAL SPECIFICATIONS		
COMPONENT	MATERIAL	FINISHING
Body, Nut	Stainless steel	Passivated
Center contact	BeCu	Gold
Insulator	PEI / PTFE	-
ENVIRONMENTAL SPECIFICATIONS		
Temperature range	-55 / +165 °C	
RoHS	Compliant (2011/65/EU RoHS 3)	
REACH	Compliant (EC 1907/2006)	



KEY FEATURES

- Precision microwave performance up to 18 GHz
- Low VSWR for high-frequency applications
- Passivated stainless steel construction
- Precision-machined interface geometry
- 1-year standard warranty



N Female to SMA Male Precision Coaxial Adapter

N-SMA42-2PS

