

2.92mm Male to 2.92mm Male Precision Coaxial Adapter

29241-PS

MECHANICAL SPECIFICATIONS

Interface 1	2.92mm
Gender 1	Male
Standard 1	MIL-STD-348A
Interface 2	2.92mm
Gender 2	Male
Standard 2	MIL-STD-348A
Geometry	Straight
Durability	≥500 mating
Weight	7 g



ELECTRICAL SPECIFICATIONS

Impedance	50 Ω
Frequency range	DC – 40 GHz
VSWR	≤1.15
Insertion loss	≤0.3 dB
Working voltage	335 V _{RMS}
Dielectric withs. voltage	1000 V _{RMS}
Insulation resistance	≥5000 MΩ

KEY FEATURES

- Precision microwave performance up to 40 GHz
- Low VSWR for high-frequency applications
- Passivated stainless steel construction
- Precision-machined interface geometry
- 1-year standard warranty

MATERIAL SPECIFICATIONS

COMPONENT	MATERIAL	FINISHING
Body, Nut	Stainless steel	Passivated
Center contact	BeCu	Gold
Insulator	PEI	-

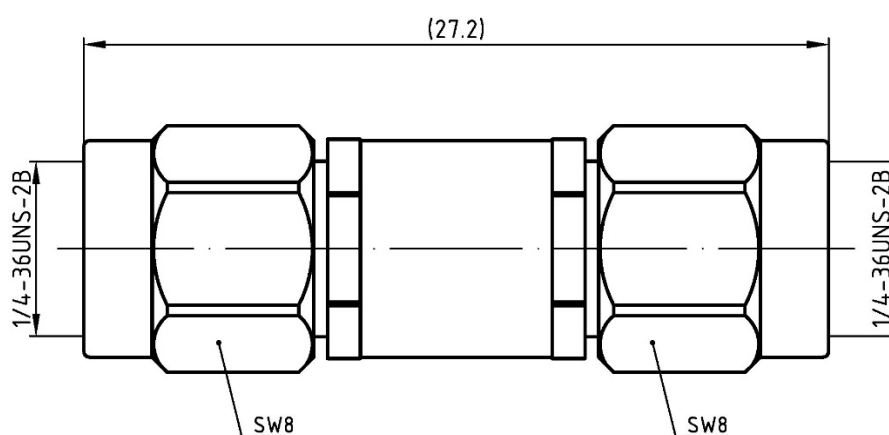
ENVIRONMENTAL SPECIFICATIONS

Temperature range	-55 / +165 °C
RoHS	Compliant (2011/65/EU RoHS 3)
REACH	Compliant (EC 1907/2006)



DRAWING

Unit: mm



2.92mm Male to 2.92mm Male Precision Coaxial Adapter

29241-PS

