

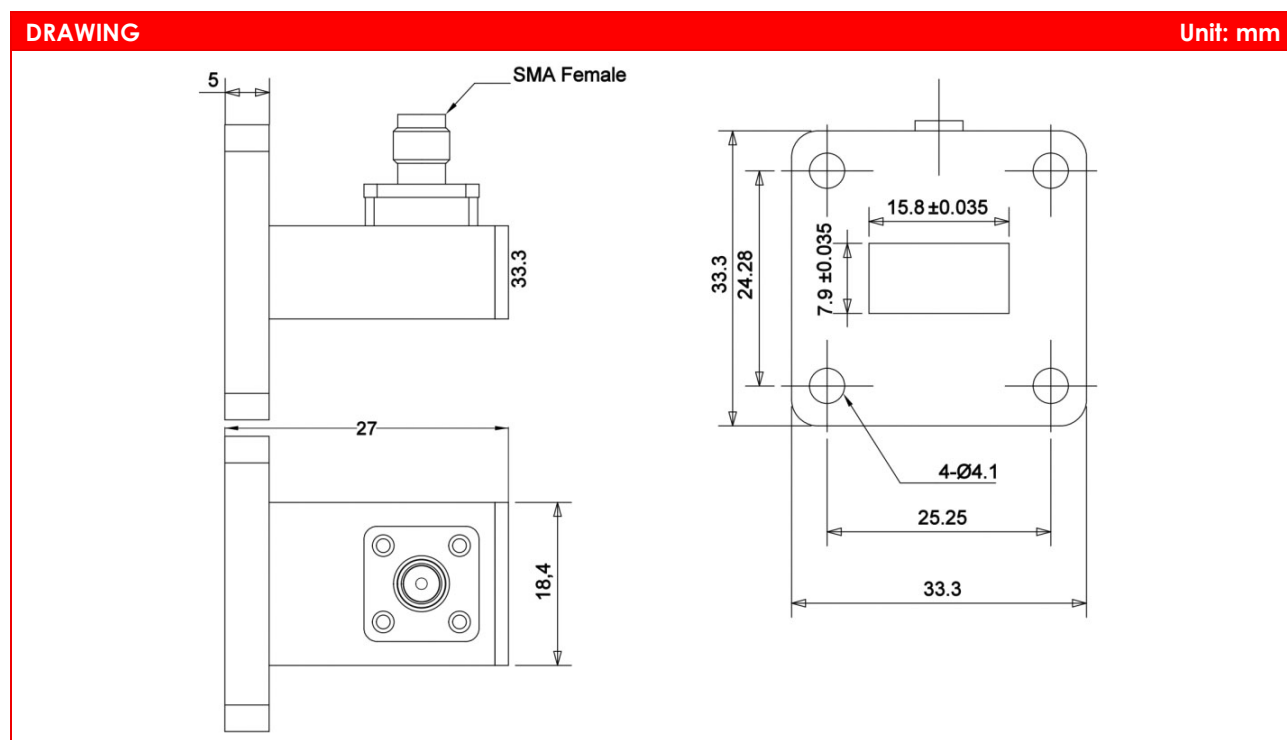
WR-62 to SMA Female Adapter (Right Angle)

W62SF-U140R

MECHANICAL SPECIFICATIONS		
Coaxial interface	SMA	
Gender	Female	
Standard	MIL-STD-348A	
Waveguide interface	EIA	WR-62
	IEC	R140
Flange type	Square cover flange	
	EIA	-
	IEC	UBR-140
Geometry	Right angle	
ELECTRICAL SPECIFICATIONS		
Impedance	50 Ω	
Frequency range	11.9 – 18 GHz	
VSWR	≤1.20	
Insertion loss	≤0.35 dB	
MATERIAL SPECIFICATIONS		
COMPONENT	MATERIAL	FINISHING
Waveguide body	Aluminium	Gray paint
Connector body	Stainless steel	Passivated
Connector center pin	BeCu	Gold
ENVIRONMENTAL SPECIFICATIONS		
Temperature range	-40 / +70 °C	
RoHS	Compliant (2011/65/EU RoHS 3)	
REACH	Compliant (EC 1907/2006)	



- KEY FEATURES**
- Full Ku-band frequency band
 - Low insertion loss, excellent matching
 - Rugged, repeatable mechanical design
 - 1-year standard warranty



WR-62 to SMA Female Adapter (Right Angle)

W62SF-U140R

