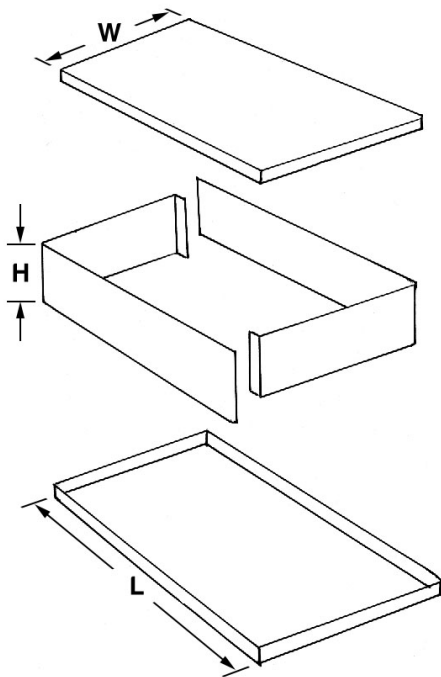


Housings for electronics in 0.5mm thick tinned sheet metal, easy to solder and universal application.



BASE 37mm

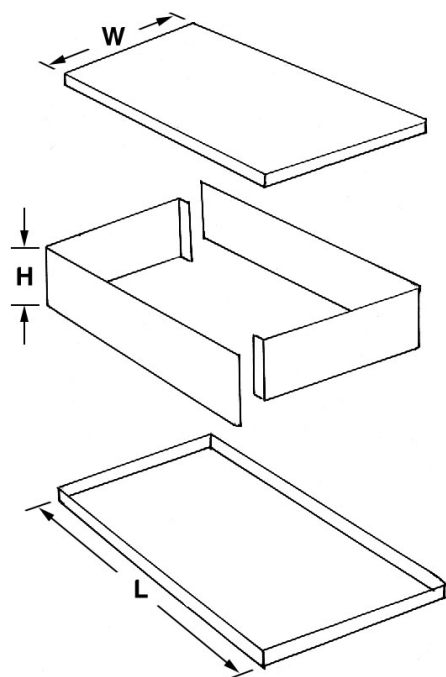


Order Code	W (mm)	L (mm)	H (mm)
TSMB20-3737	37	37	20
TSMB20-3755	37	55	20
TSMB20-3774	37	74	20
TSMB20-37111	37	111	20
TSMB20-37148	37	148	20

Order Code	W (mm)	L (mm)	H (mm)
TSMB30-3737	37	37	30
TSMB30-3755	37	55	30
TSMB30-3774	37	74	30
TSMB30-37111	37	111	30
TSMB30-37148	37	148	30

Order Code	W (mm)	L (mm)	H (mm)
TSMB40-3737	37	37	40
TSMB40-3755	37	55	40
TSMB40-3774	37	74	40
TSMB40-37111	37	111	40
TSMB40-37148	37	148	40

BASE 55mm



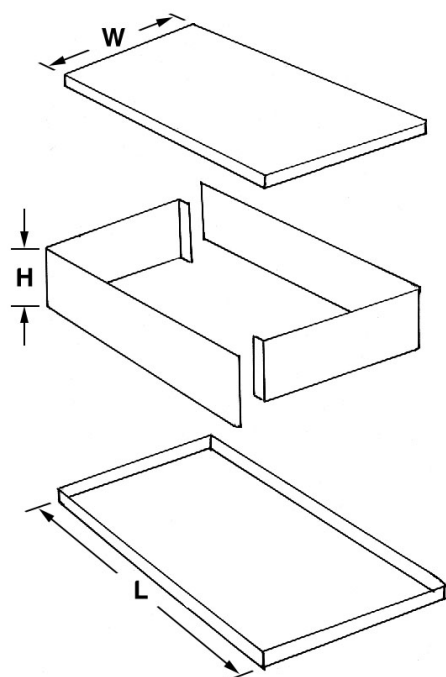
Order Code	W (mm)	L (mm)	H (mm)
TSMB20-5555	55	55	20
TSMB20-5574	55	74	20
TSMB20-55111	55	111	20
TSMB20-55148	55	148	20

Order Code	W (mm)	L (mm)	H (mm)
TSMB30-5555	55	55	30
TSMB30-5574	55	74	30
TSMB30-55111	55	111	30
TSMB30-55148	55	148	30

Order Code	W (mm)	L (mm)	H (mm)
TSMB40-5555	55	55	40
TSMB40-5574	55	74	40
TSMB40-55111	55	111	40
TSMB40-55148	55	148	40

Order Code	W (mm)	L (mm)	H (mm)
TSMB50-5555	55	55	50
TSMB50-5574	55	74	50
TSMB50-55111	55	111	50
TSMB50-55148	55	148	50

BASE 74mm



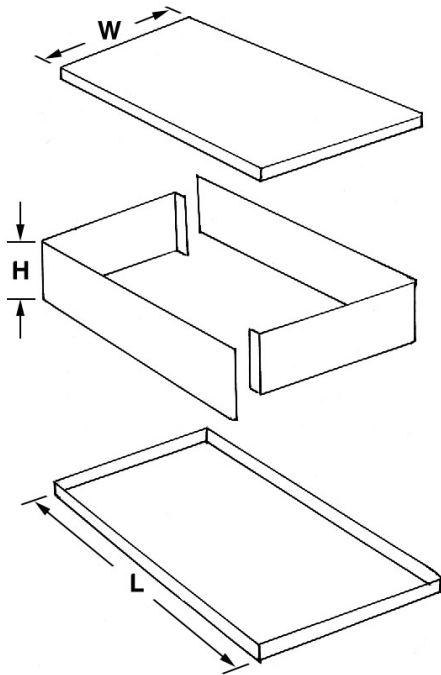
Order Code	W (mm)	L (mm)	H (mm)
TSMB20-7474	74	74	20
TSMB20-74111	74	111	20
TSMB20-74148	74	148	20

Order Code	W (mm)	L (mm)	H (mm)
TSMB30-7474	74	74	30
TSMB30-74111	74	111	30
TSMB30-74148	74	148	30

Order Code	W (mm)	L (mm)	H (mm)
TSMB40-7474	74	74	40
TSMB40-74111	74	111	40
TSMB40-74148	74	148	40

Order Code	W (mm)	L (mm)	H (mm)
TSMB50-7474	74	74	50
TSMB50-74111	74	111	50
TSMB50-74148	74	148	50

EUROBOARDS STANDARD



Order Code	W (mm)	L (mm)	H (mm)
TSMB30-52162	52	162	30
TSMB40-52162	52	162	40
TSMB50-52162	52	162	50

Order Code	W (mm)	L (mm)	H (mm)
TSMB20-82102	82	102	20
TSMB30-82102	82	102	30
TSMB40-82102	82	102	40
TSMB50-82102	82	102	50

Order Code	W (mm)	L (mm)	H (mm)
TSMB20-102102	102	102	20
TSMB30-102102	102	102	30
TSMB40-102102	102	102	40
TSMB50-102102	102	102	50
TSMB30-102162	102	162	30
TSMB40-102162	102	162	40
TSMB50-102162	102	162	50