


DATASHEET



ELECTRICAL SPECIFICATIONS:

Attenuation range (dB)				
1 - 10 (±0.5)	11 - 20 (±0.6)	21 - 30 (±0.8)	31 - 40 (±0.8)	41 - 50 (±0.8)
Frequency range	dc - 6 GHz			
Impedance	50 Ω			
VSWR	≤ 1.20			
Peak power	1 kW (5 μsec pulse width, 1% duty cycle)			
Input AVG power	30 W @ 25 °C ambient derating linearly to 3 W @ 100 °C			
Direction	Unidirectional (see configurations)			

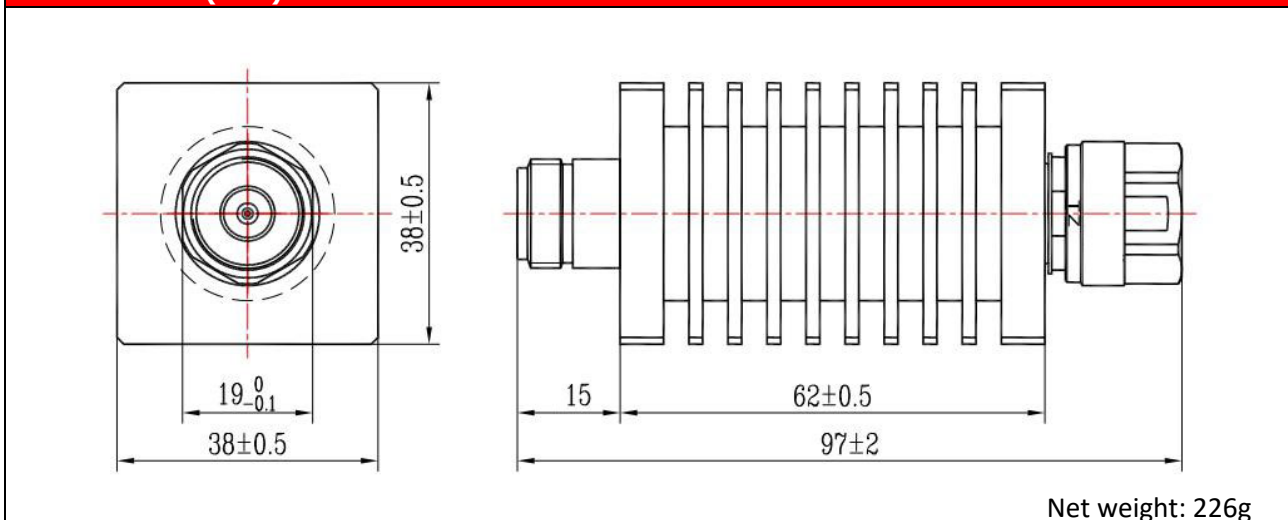
ENVIRONMENTAL:

Operating temperature	-55 / +100 °C	
Storage temperature	-55 / +125 °C	
Temperature coefficient	<0.0004 dB/dB/°C	

MATERIAL SPECIFICATIONS:

	Materials	Finishes
Connector body	Brass	Ternary alloy
Center contact	BeCu / Brass	Gold plated
Heat sink	Aluminium	Anodized (black)

DIMENSIONS (mm):



CONFIGURATIONS:

ATN-XX30-06	Connectors: N male input – N female output
ATN-XX30A-06	Connectors: N female input – N male output
ATN-XX30B-06	Connectors: N male input – N male output
ATN-XX30C-06	Connectors: N female input – N female output