

DATASHEET

PRODUCT SPECIFICATIONS

Interface	BNC
Standard	MIL-STD-348A
Gender	Female
Geometry	Straight
Panel mounting feature	-



ELECTRICAL SPECIFICATIONS

Impedance	50 Ω
Frequency range	dc – 4 GHz
VSWR	≤1.25
Working voltage	500 V _{RMS}
Dielectric withstanding voltage	1500 V _{RMS}
Insulation resistance	≥5000 MΩ

MECHANICAL SPECIFICATIONS

Durability	≥500 mating
Weight	10.1 g
Center contact attachment	Solder
Outer contact attachment	Crimp

MATERIAL SPECIFICATIONS

COMPONENT	MATERIAL	PLATING
Body	Brass	Nickel
Center contact	Brass	Gold
Ferrule	Brass	Nickel
Insulator	PTFE	-

ENVIRONMENTAL SPECIFICATIONS

Temperature range	-55 / +125 °C
IP rating	-

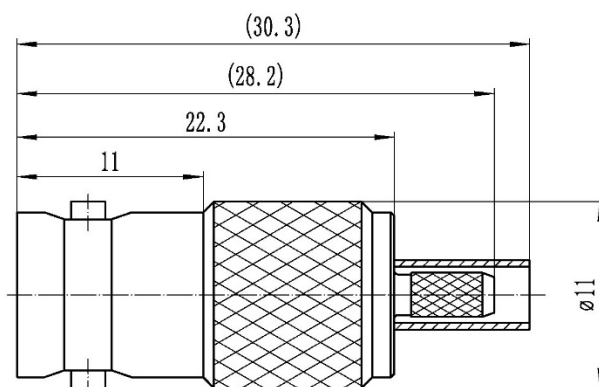


CABLE GROUP

RG174 / RG188 / RG188A / RG316 / LMR100

DRAWING

Unit: mm



Recommended cable stripping dimensions

