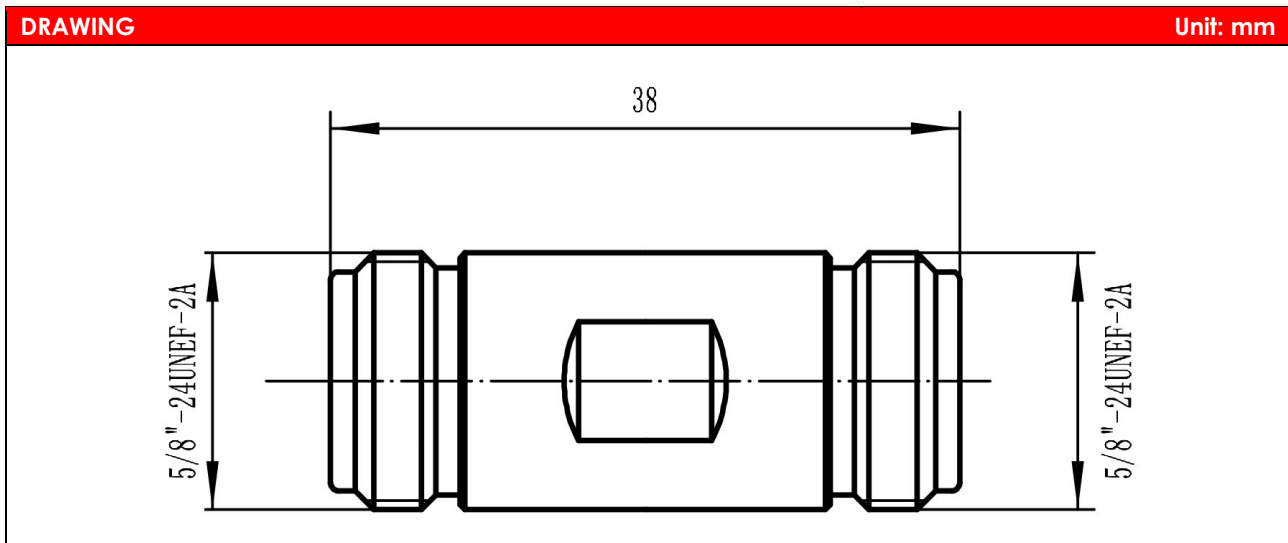


DATASHEET

PRODUCT SPECIFICATIONS		
Interface 1	N	
Standard 1	MIL-STD-348A	
Gender 1	Female	
Interface 2	N	
Standard 2	MIL-STD-348A	
Gender 2	Female	
Geometry	Straight	
Panel mounting feature	-	
ELECTRICAL SPECIFICATIONS		
Impedance	50 Ω	
Frequency range	dc – 18 GHz	
VSWR	≤1.15	
Working voltage	500 V _{RMS}	
Dielectric withstanding voltage	1500 V _{RMS}	
Insulation resistance	≥5000 MΩ	
MECHANICAL SPECIFICATIONS		
Durability	≥500 mating	
Weight	44.8 g	
MATERIAL SPECIFICATIONS		
COMPONENT	MATERIAL	PLATING
Body	Stainless steel	Passivated
Center contact	BeCu (Beryllium-Copper)	Gold
Insulator	PEI (Polyetherimide)	-
ENVIRONMENTAL SPECIFICATIONS		
Temperature range	-65 / +165 °C	
IP rating	-	



TYPICAL TEST DATA

