

DATASHEET



ELECTRICAL SPECIFICATIONS:

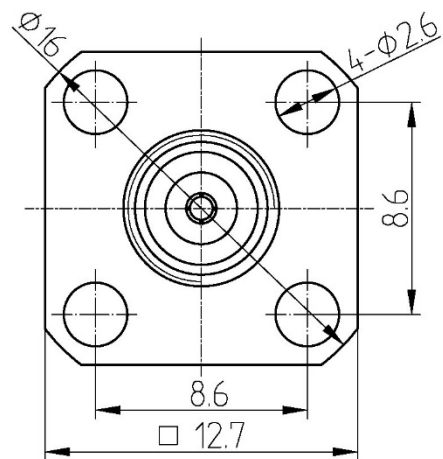
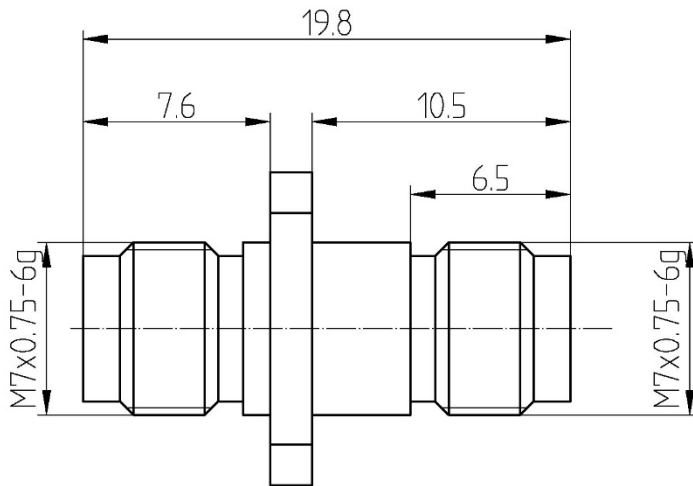
Frequency range	dc – 50 GHz
Impedance	50 Ω
VSWR	≤1.25
Lifetime (mating)	≥500
Temperature range	-55 / +125 °C
Interface	2.4 (IEEE STD 287-2007)

MATERIAL SPECIFICATIONS:

	Material	Finishing
Connector body	Stainless Steel	Passivated
Center contact	BeCu	Gold plating
Insulator	PEI	-



Unit: mm



TEST DATA

