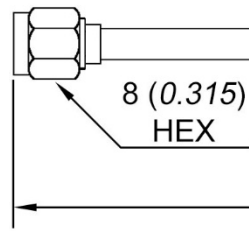
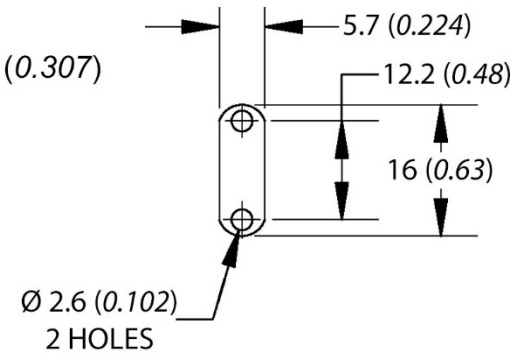
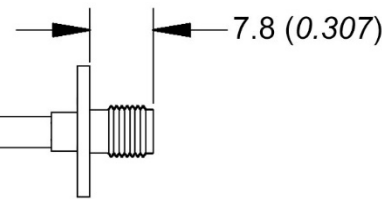


SMA PLUG



2-HOLE FLANGE SMA JACK



MOUNTING HOLES

L

MECHANICAL SPECIFICATIONS					
	Type	Geometry		Material & finishing	
Connector 1	SMA Plug	Straight		Gold-plated Brass	
Connector 2	2-Hole Flange SMA Jack	Straight		Gold-plated Brass	
	Type	Dielectric	Jacket	Ext. diam.	Op. Temp.
Cable	HF141-50	PTFE	-	3.52 mm	-65/+165 °C
ELECTRICAL SPECIFICATIONS					
Frequency range	DC – 18 GHz VSWR ≤1.29 (RL ≥18 dB)				
Impedance	50 Ω				
Frequency (GHz)	Typical Attenuation (dB/m)	Frequency (GHz)	Typical Attenuation (dB/m)		
0.5	0.27	8.0	1.30		
1.0	0.39	15.0	1.95		
2.0	0.58	18.0	2.22		
5.0	1.00	26.5	2.90		

Part #	Standard length
S02S19-40-00100	L = 10 cm
S02S19-40-00200	L = 20 cm
S02S19-40-00300	L = 30 cm
S02S19-40-00400	L = 40 cm
S02S19-40-00500	L = 50 cm
S02S19-40-00750	L = 75 cm
S02S19-40-01000	L = 100 cm

Part #	Custom length
S02S19-40-"L"	Replace L with cable length in mm



www.qaxial.com



S02S19-40 Series