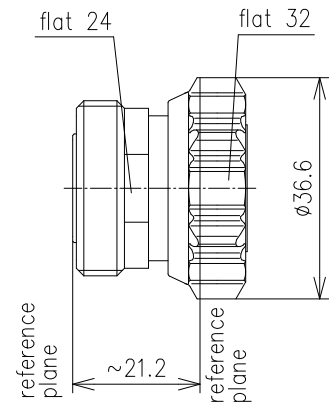


ADAPTOR FOR TEST-PORT PROTECTION PLUG - SOCKET TYPE 7-16



Part number	BN 75 64 04		
Connector type	7-16 plug / 7-16 socket		
Impedance	50 Ω		
Frequency range	0 - 1 GHz	1 - 3 GHz	3 - 7.5 GHz
VSWR	≤ 1.01	≤ 1.04	≤ 1.06
Intermodulation (IM3) 2x20W	≤ -165 dBc		
Material and surface			
Inner conductor	copper alloy	silver-plated	
Outer conductor	copper alloy	silver-plated	
Other metal parts	copper alloy	nickel-plated	
Insulation	PTFE		
Sealing	silicone rubber		
Degree of protection	IP68 (mated)		
Standards	IEC 61169-4		
Weight	approx. 0.083 kg		