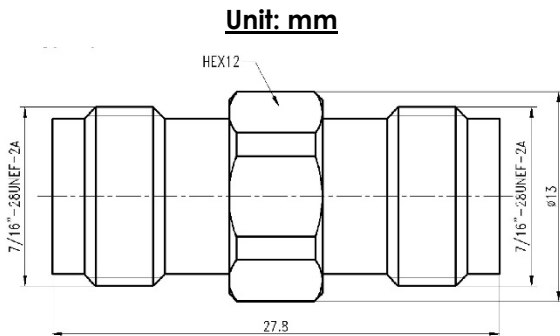


**DATASHEET**



ELECTRICAL SPECIFICATIONS:		
Impedance	50 Ω	
Frequency range	dc – 18 GHz	
VSWR	≤ 1.20	
Operating Temp.	-55°C / +165°C	
MATERIAL SPECIFICATIONS:		
	Materials	Finishes
Body	Stainless Steel	Passivated
Center contact	BeCu	Gold plating
Insulator	PTFE	-



**Test Data**

