


DATASHEET


ELECTRICAL SPECIFICATIONS:

Frequency range	dc – 18 GHz	
Impedance	50 Ω	
Switch type	SPDT, reflective	
Actuator type	Failsafe	
Switching time	≤15 ms	
Switching sequence	Break before make	

P/N	SW-18-12S12SA	SW-18-12S18SA	SW-18-12S24SA	SW-18-12S28SA
Nom. actuating voltage	12	18	24	28
DC voltage (V _{dc})	11 to 13	16 to 20	22 to 26	26 to 30
Actuating current (mA)	190	136	98	83

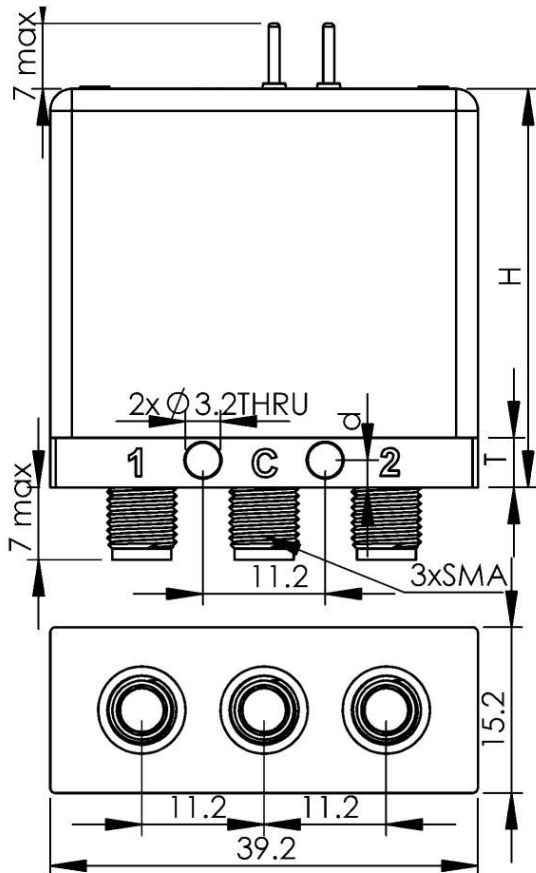
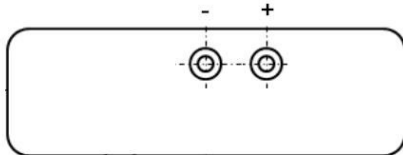
Frequency [GHz]	VSWR (max.)	Insertion loss (max.) [dB]	Isolation (min.) [dB]
0 – 6	1.20	0.20	70
6 – 12	1.30	0.25	70
12 – 18	1.40	0.40	60

ENVIRONMENTAL & MECHANICAL SPECIFICATIONS:

Operating life	≥3 million cycles	
RF connectors	SMA female	
Actuator terminals	Solder pins	
Operating temperature	-25 / +65 °C	
Storage temperature	-55 / +85 °C	
Shock (Designed to meet)	MIL-STD-202 Method 213, Condition D, 500G (Non Operating)	
Vibration (Designed to meet)	MIL-STD-202 Method 214, Condition D, 10G RMS (Non Operating)	
Weight	~70 g	

Dimensions (Unit: mm, Tolerance: ±0.5mm)

H = 38
 T = 4.6
 d = 2.5



Schematic diagram

