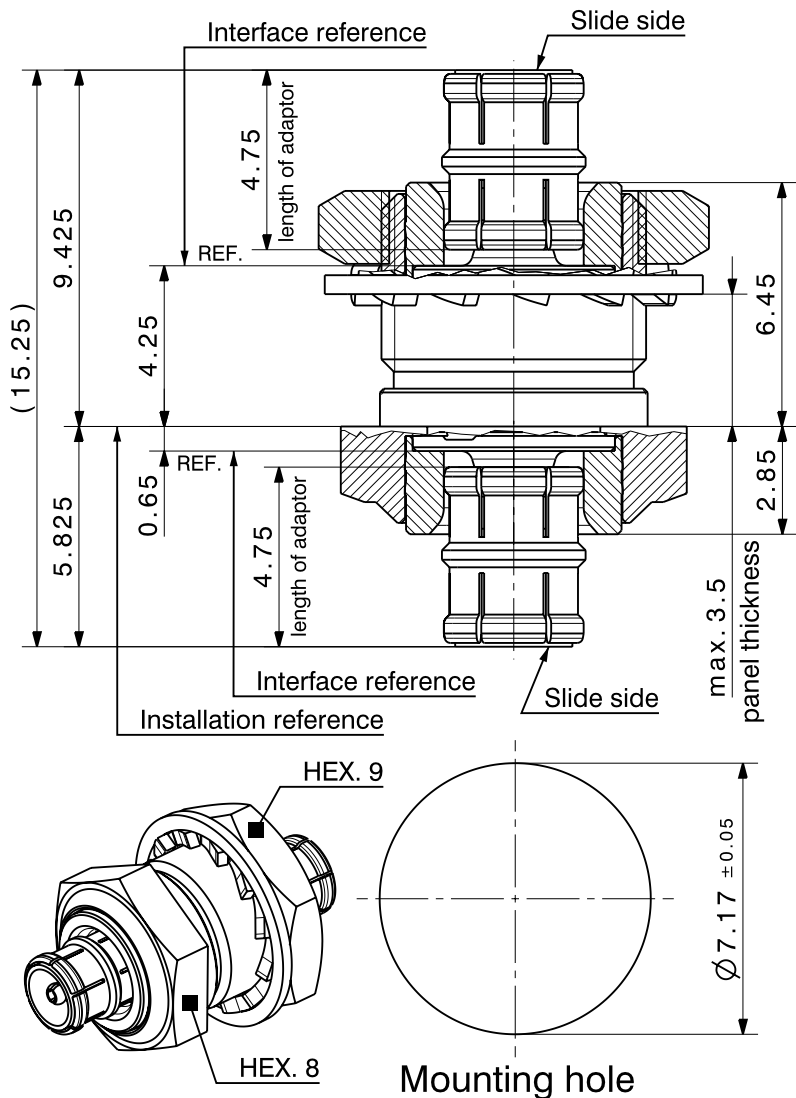


Diese Zeichnung ist unser geistiges Eigentum und darf ohne unsere Erlaubnis weder kopiert, vervielfältigt noch Dritten oder Konkurrenzfirmen zugänglich gemacht werden. (Art. 12 B.G.)
 This drawing is copyright. Information contained therein is supplied in confidence and must not be used for any other purpose than which it was supplied, or be reproduced without written permission of the owners.

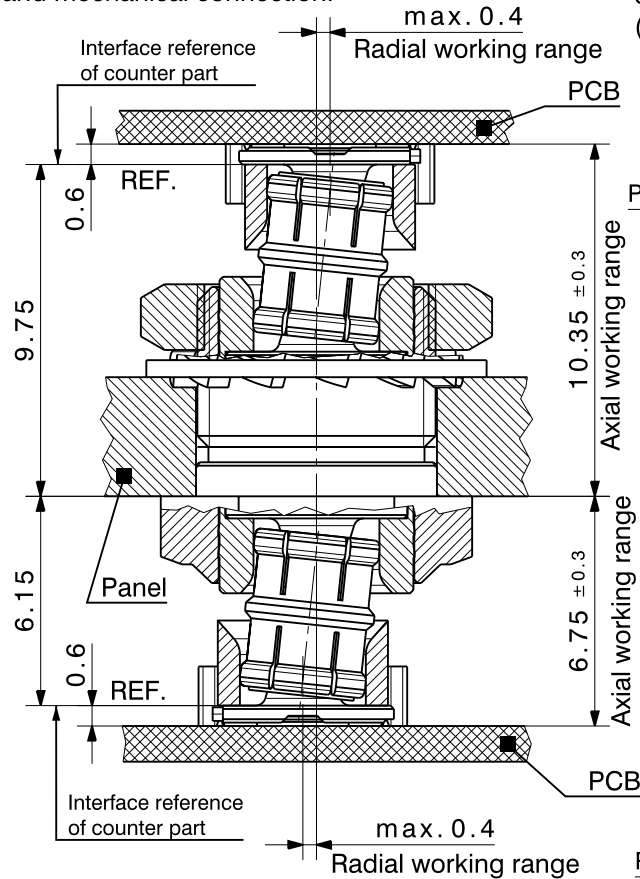
35_MMBX-50-0-1

Including 2 x 32_MMBX-50-0-1



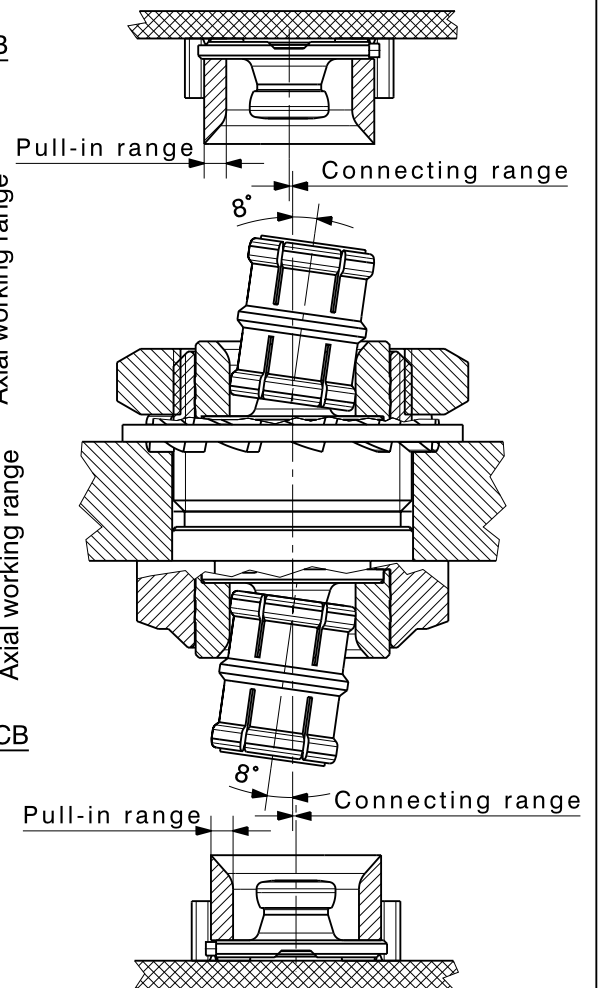
Radial and axial working range

The radial and axial working range is the maximum misalignment that allows a sufficient electrical and mechanical connection.



Connecting range

The connecting range is the maximum misalignment which allows a trouble-free connection with the counter PCB (blind mate). (including maximum swiveling angle of adaptor)



Pull-in range on PCB connector	Connecting range
1.8	not possible
0.95	max. 0.4
0.65	max. 0.1

MMBX application instructions are available at www.hubersuhner.com or from your local HUBER+SUHNER sales representative



type / Typ: 35_MMBX-50-0-1

Ⓜ Ⓢ dimensions in millimeter [mm]

part no. / Teile Nr.: PRO-00013580 C sheet/Blatt XX / XX

description / Beschreibung

drawing-no. / Zeichnungsnr.

Release

Bulkhead adaptor

DOU-00013580

E

alternative ID: 4.13.32548