



OMNI FIT™ high performance connectors are designed for use with both CELLFLEX® (copper) and CELLFLEX® Lite (aluminum) cables. They are designed specifically to provide the highest quality connector-cable interface while simplifying and speeding up connector attachment. All RFS connectors are fully tested for mechanical and electrical compliance to industry specifications.

The 7-16 connector is the most rugged RF connection meeting all requirements even under the most severe environmental conditions.

FEATURES / BENEFITS

- Cost effective two-piece design for safe and easy installation
- Compatible with copper and aluminium cable types i.e. one connector for both outer conductor materials eliminates the risk of faulty connector installation and helps to keep inventory down
- Robust mechanical design for low and consistent intermodulation performance i.e. keeps the mobile network performance up reduces the number of dropped calls and avoids revenue losses
- Superior electrical performance for consistent and repeatable VSWR i.e. ensure network system performance
- Waterproof to IP 68 i.e. no downtime risk, secures revenue
- RoHS (EU) and CRoHS (China) compliant i.e. can be used on a global basis



716MR-LCF12-C03

Technical features

GENERAL SPECIFICATIONS

Transmission Line Type		Coaxial Cable		
Cable Size		1/2		
Cable Type		Foam Dielectric		
Model Series		LCF12-50 Series	ICA12-50 Series	RCF12-50 Series
Connector Interface		7-16 DIN		
Connector Type		OMNI FIT™ Standard Right Angle		
Sealing Method		O-Ring		
Gender		Male Right Angle		

ELECTRICAL SPECIFICATIONS

Nominal Impedance, ohms	Ohm	50		
3rd Order IM Product @ 2x20 Watts	dBc	-157 ; typical -160		
Maximum Frequency	GHz	6.0		
VSWR, Return Loss	VSWR (dB)	0 < f ≤ 1.0 GHz: 1.04 (34.1) 1.0 < f ≤ 2.2 GHz: 1.07 (29.4) 2.2 < f ≤ 2.7 GHz: 1.09 (27.3) 2.7 < f ≤ 3.7 GHz: 1.13 (24.3) 3.7 < f ≤ 5.0 GHz: 1.25 (19.1) 5.0 < f ≤ 6.0 GHz: 1.30 (17.7)		

MECHANICAL SPECIFICATIONS

Plating Outer/Inner		Trimetal/Silver		
Length	mm (in)	57.9 (2.28)		
Outer Diameter	mm (in)	38.7 (1.5)		
Inner Contact Attachment		Basket		
Outer Contact Attachment		Spring C-Ring		

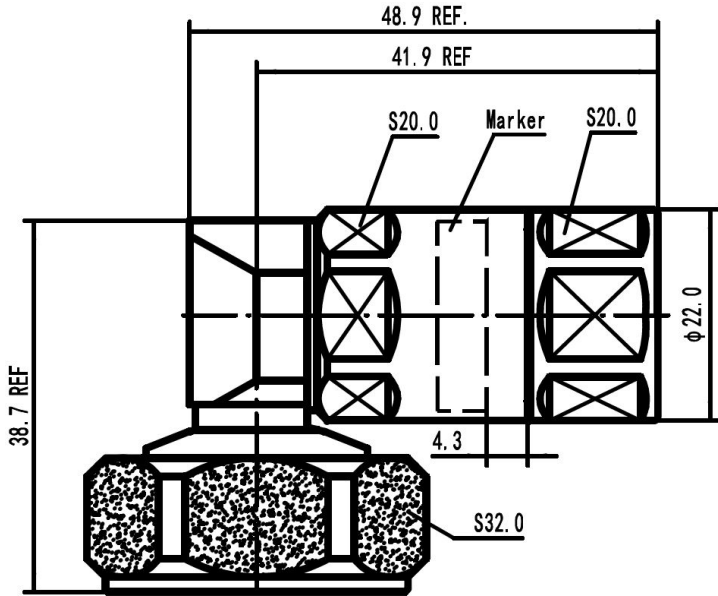


ACCESSORIES

Wrench size front	mm (in)	20 (13/16)
Wrench size rear	mm (in)	20 (13/16)

TESTING AND ENVIRONMENTAL

Waterproof Level		IP68
------------------	--	------



716MR-LCF12-C03 Outline drawing

External Document Links

- [Application Note](#)
- [Installation instruction](#)

Notes