

**DATASHEET**



**ELECTRICAL SPECIFICATIONS:**

Frequency range	dc – 18 GHz
Impedance	50 Ω
VSWR	≤1.30
Working voltage	335 V <sub>RMS</sub>
Insulation resistance	5000 MΩ min.
Temperature range	-45 / +125 °C
Lifetime	>500 mating

**MATERIAL SPECIFICATIONS:**

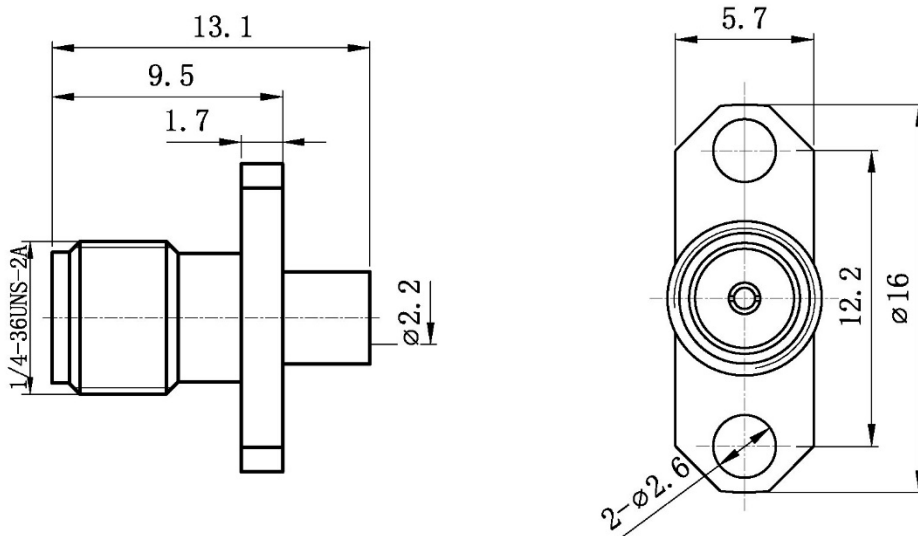
	Materials	Finishes
Connector body	Brass	Gold plating
Center contact	BeCu	Gold plating
Insulator	PTFE	-

**CABLE GROUP:**

086 SEMI-RIGID / RG405



Unit: mm



Recommended cable stripping dimensions

