

**DATASHEET**



**ELECTRICAL SPECIFICATIONS:**

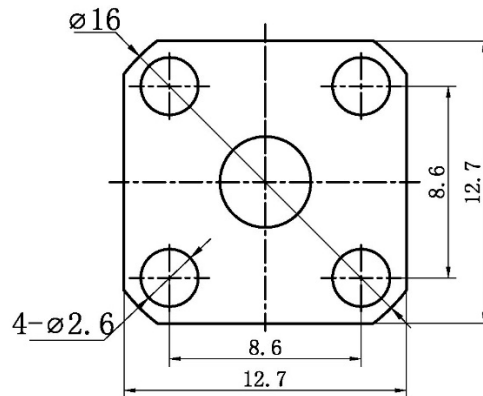
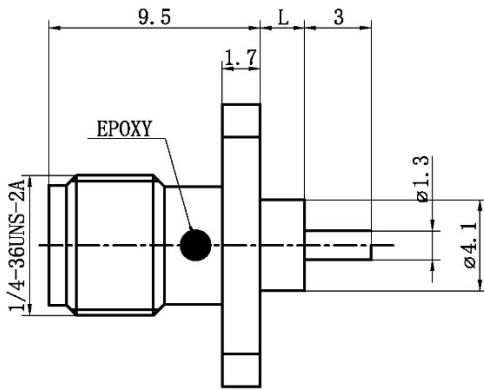
Frequency range	dc – 18 GHz
Impedance	50 Ω
VSWR	≤1.30
Working voltage	335 V <sub>RMS</sub>
Insulation resistance	5000 MΩ min.
Temperature range	-45 / +125 °C
Life time	>500 mating

**MATERIAL SPECIFICATIONS:**

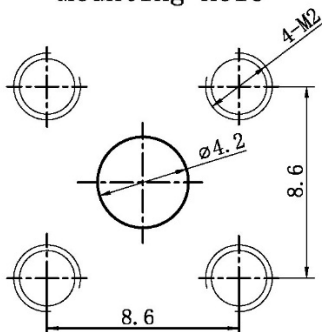
	Materials	Finishes
Connector body	Brass	Gold plating
Center contact	BeCu	Gold plating
Insulator	PTFE	-



Unit: mm



Recommended  
Mounting Hole



L	PART NUMBER
2 mm	SMA14-4H-02E
3 mm	SMA14-4H-03E
4 mm	SMA14-4H-04E
5 mm	SMA14-4H-05E
6 mm	SMA14-4H-06E
7 mm	SMA14-4H-07E
8 mm	SMA14-4H-08E
9 mm	SMA14-4H-09E
10 mm	SMA14-4H-10E
11 mm	SMA14-4H-11E
12 mm	SMA14-4H-12E
15 mm	SMA14-4H-15E