

**DATASHEET**



**ELECTRICAL SPECIFICATIONS:**

Frequency range	dc – 4 GHz
Impedance	50 Ω
VSWR	1.15 (max.)
Voltage rating	335 V <sub>RMS</sub>
Insulation resistance	5000 MΩ min.
Life time	>500 mating
Temperature range	-55 / +125 °C

**MATERIAL SPECIFICATIONS:**

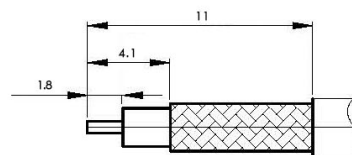
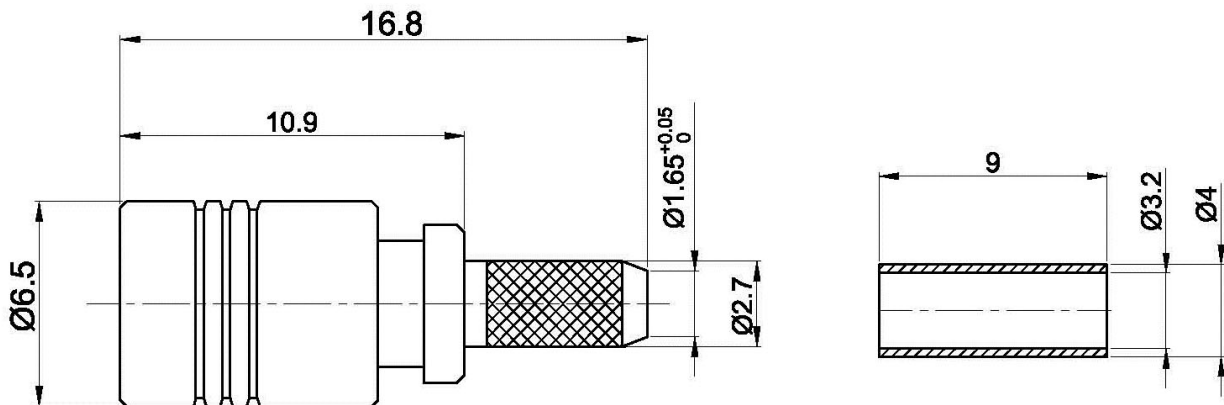
	Materials	Finishes
Connector body	Brass	Gold plating
Center contact	BeCu	Gold plating
Insulator	PTFE	-

**CABLE GROUP:**

RG174 / RG188 / RG188A / RG316 / LMR100



Unit: mm



STRIPPING CABLE