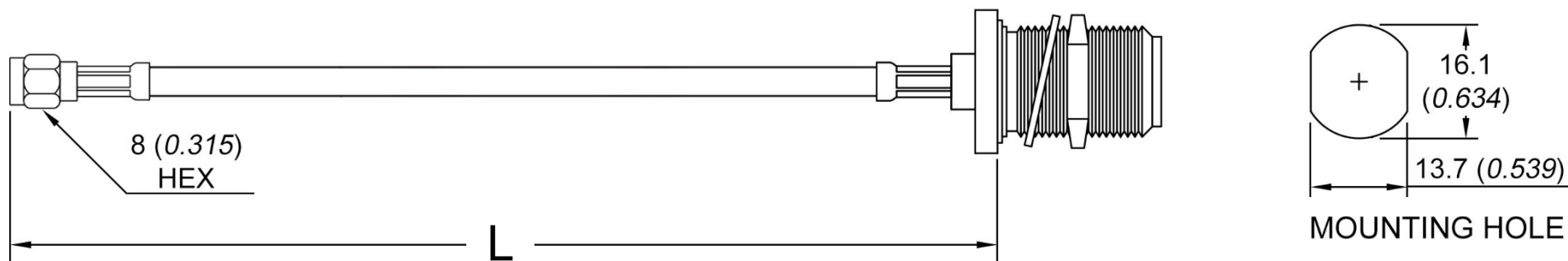


**SMA
PLUG**

**N
JACK
BULKHEAD**



MECHANICAL SPECIFICATIONS

	Type	Geometry	Material & finishing		
Connector 1	N Jack Bulkhead	Straight	Nickel-plated Brass		
Connector 2	SMA Plug	Straight	Gold-plated Brass		
	Type	Dielectric	Jacket	Ext. diam.	Op. Temp.
Cable	RG223/U	PE	PVC	5.4 mm	-25/+85 °C

ELECTRICAL SPECIFICATIONS

Frequency range	DC – 6 GHz VSWR ≤1.22 (RL ≥20 dB)
Impedance	50 Ω

Frequency (MHz)	Typical Attenuation (dB/m)	Frequency (MHz)	Typical Attenuation (dB/m)
10	0.04	450	0.31
50	0.09	1000	0.47
100	0.14	2400	0.77
150	0.18	5500	1.27

Part #	Standard length
N15S02-12-00250	L = 25 cm
N15S02-12-00500	L = 50 cm
N15S02-12-00750	L = 75 cm
N15S02-12-01000	L = 100 cm
N15S02-12-01500	L = 150 cm
N15S02-12-02000	L = 200 cm
N15S02-12-03000	L = 300 cm

Part #	Custom length
N15S02-12-“L”	Replace L with cable length in mm



www.qaxial.com



N15S02-12 Series