

DATASHEET



ELECTRICAL SPECIFICATIONS:

Frequency range	dc – 11 GHz
Impedance	50 Ω
VSWR	1.30 max.
Working voltage	1 kV _{RMS} (max. at sea level)
Withstanding voltage	1.5 kV _{RMS} (min. at sea level)
Insulation resistance	5000 MΩ min.
Temperature range	-55 / +125 °C
Life time	500 mating min.

MATERIAL SPECIFICATIONS:

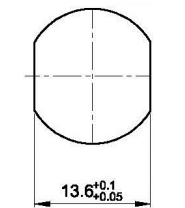
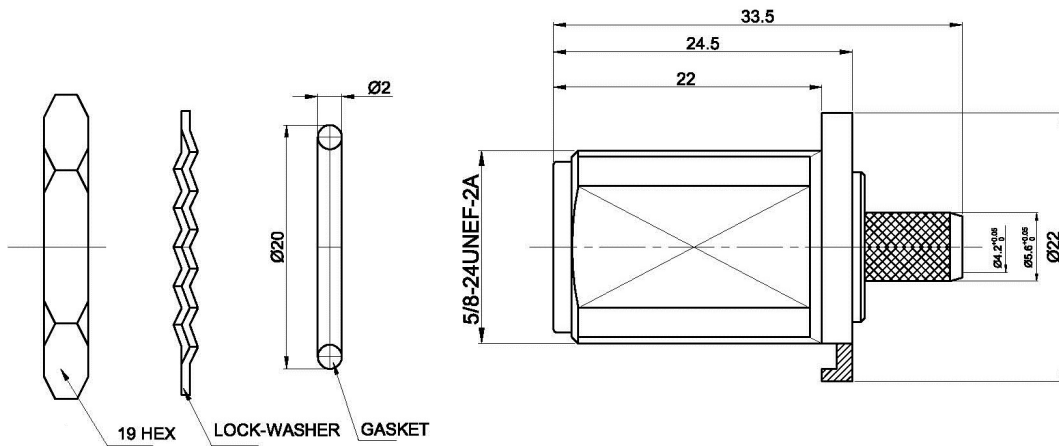
	Materials	Finishes
Connector body, nut	Brass	Nickel plating
Center contact	BeCu	Gold flash
Insulator	PTFE	-
Gasket	Silicon rubber	-

CABLE GROUP:

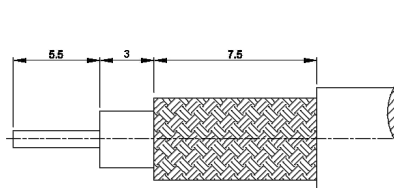
RG8X / LMR240



Unit: mm



RECOMMENDED MOUNTING HOLE



RECOMMENDED CABLE STRIPPING