

DATASHEET

Electrical Specifications

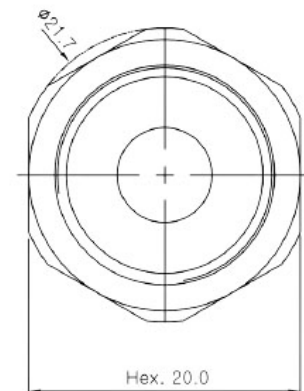
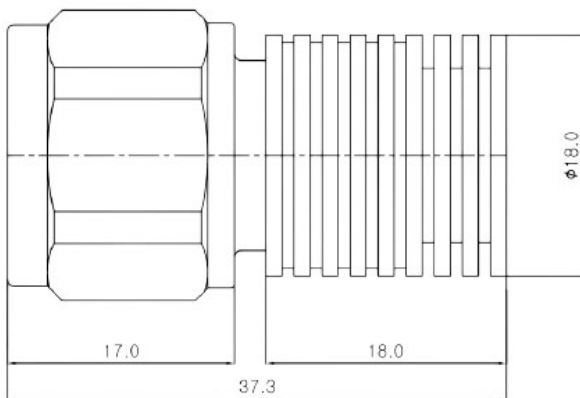
Frequency range	dc - 6 GHz
Impedance	50 Ω
Power rating	5 W
VSWR	1.15 : 1
Operating temperature	-65 / +85 °C
Connector type	N male

Mechanical Specifications

Connector body	Brass / Tri-alloy plating
Termination body	Brass / Tri-alloy plating
Center contact	Brass / Gold plating
Insulator	PTFE



Unit: mm



VSWR

