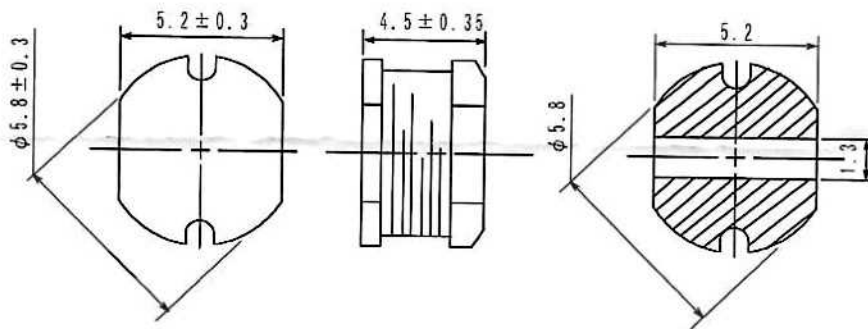
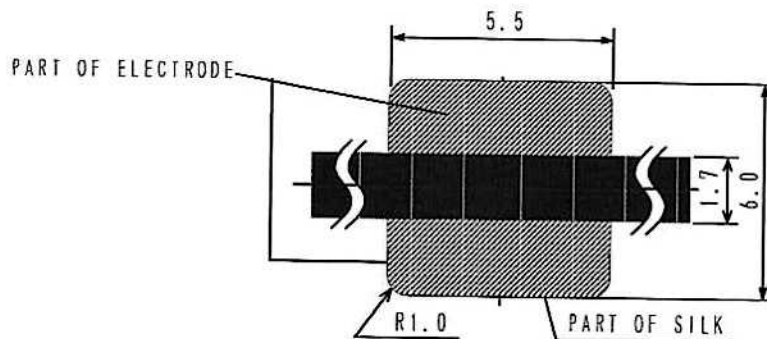


Type: CD54
◆ Product Description

- 6.1×5.5mm Max.(L×W), 4.85mm Max. Height.
- Inductance range:10~220 μ H.
- Rated current range:0.35~1.44A.
- Custom design is available.


◆ Feature

- Magnetically unshielded construction.
- Ideally used in Mobilephone,PDA,MP3,DSC/DVC,HDD,Portable DVD etc as DC-DC Converter inductors.
- RoHS Compliance.

◆ Dimensions (mm)

◆ Land Pattern (mm)


Type: CD54
◆ Specification

Part Name ※	Stamp	Inductance (μ H) ※1	D.C.R (Ω) [Max.] (at 20°C)	Rated Current (A) ※2	S.R.F. (MHz) (Typ.)
CD54NP-100M□	100	10 \pm 20%	0.10	1.44	30.6
CD54NP-120M□	120	12 \pm 20%	0.12	1.40	27.7
CD54NP-150M□	150	15 \pm 20%	0.14	1.30	25.9
CD54NP-180M□	180	18 \pm 20%	0.15	1.23	23.3
CD54NP-220M□	220	22 \pm 20%	0.18	1.11	19.5
CD54NP-270M□	270	27 \pm 20%	0.20	0.97	17.5
CD54NP-330L□	330	33 \pm 15%	0.23	0.88	16.3
CD54NP-390L□	390	39 \pm 15%	0.32	0.80	15.8
CD54NP-470L□	470	47 \pm 15%	0.37	0.72	13.6
CD54NP-560K□	560	56 \pm 10%	0.42	0.68	12.1
CD54NP-680K□	680	68 \pm 10%	0.46	0.61	11.7
CD54NP-820K□	820	82 \pm 10%	0.60	0.58	10.2
CD54NP-101K□	101	100 \pm 10%	0.70	0.52	9.24
CD54NP-121K□	121	120 \pm 10%	0.93	0.48	8.61
CD54NP-151K□	151	150 \pm 10%	1.10	0.40	8.28
CD54NP-181K□	181	180 \pm 10%	1.38	0.38	6.42
CD54NP-221K□	221	220 \pm 10%	1.57	0.35	5.73

※ Description of Part Name

CD54NP-100M□
 └─ B: Box
 └─ C: Carrier Tape

※1. Measuring frequency: inductance 10 μ H ~ 82 μ H at 2.52 MHz
 100 μ H ~ 220 μ H at 1 kHz

※2. Rated current: The DC current at which the inductance decreases to 90 % of its initial value or when $\Delta t=40^{\circ}\text{C}$, whichever is lower($T_a=20^{\circ}\text{C}$).