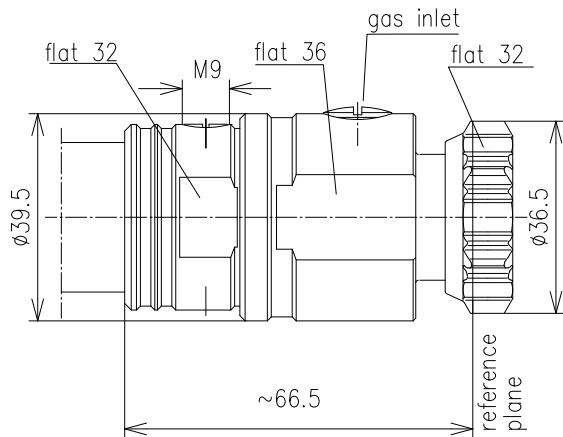


CABLE PLUG FOR AIR DIELECTRIC CABLE 7/8"-TYPE 7-16



| | | | |
|---------------------------|--|----------------------|-----------|
| Part number | BN 49 18 18 | | |
| Connector type | 7-16 plug | | |
| Version | CAF® | | |
| Impedance | 50 Ω | | |
| Frequency range | 0 - 1 GHz | 1 - 2 GHz | 2 - 3 GHz |
| VSWR | ≤ 1.02 | ≤ 1.03 | ≤ 1.06 |
| Material and surface | | | |
| Inner conductor | copper alloy | silver-plated | |
| Outer conductor | copper alloy | silver-plated | |
| Other metal parts | copper alloy | bright nickel-plated | |
| Insulation | PTFE | | |
| Sealing | silicone rubber, PLAST 2000® | | |
| Degree of protection | IP68 (pressure-tight up to 4 bar/400kPa) | | |
| Cable compatibility | RFS | HCA 78-50 | |
| Standards | IEC 61169-4 | | |
| Installation instructions | M30197 | | |
| Weight | approx. 0.32 kg | | |
| Included in delivery | cover, installation instructions | | |