

**DATASHEET**

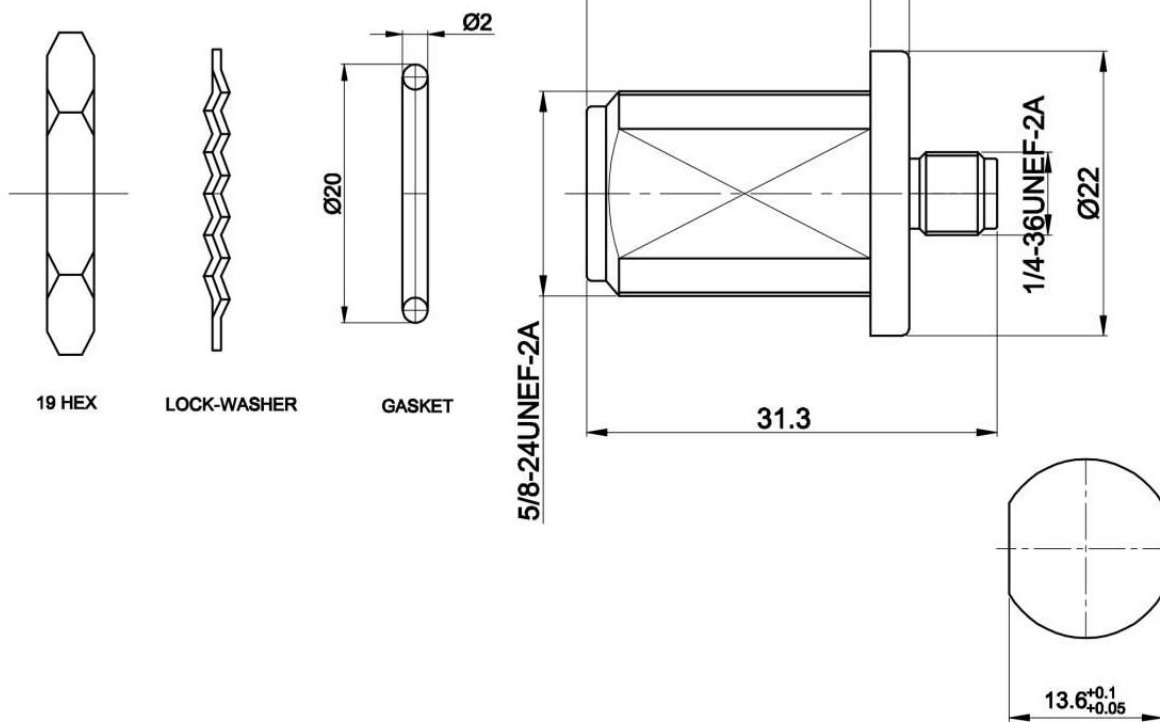


**ELECTRICAL SPECIFICATIONS:**

Impedance	50 Ω
Frequency range	dc – 11 GHz
VSWR	≤ 1.3
Voltage rating	500 Vrms
Insulation resistance	5000 MOhms
Mating	500

**MATERIAL SPECIFICATIONS:**

	Materials	Finishes
Body	Brass	Nickel plating
Center contact	BeCu	Gold flash
Insulator	PTFE	-
Hex nut	Brass	Nickel plating
Lock-washer	Brass	Nickel plating
Gasket	Silicon Rubber	Red



**RECOMMENDED MOUNTING HOLE**