

**DATASHEET**

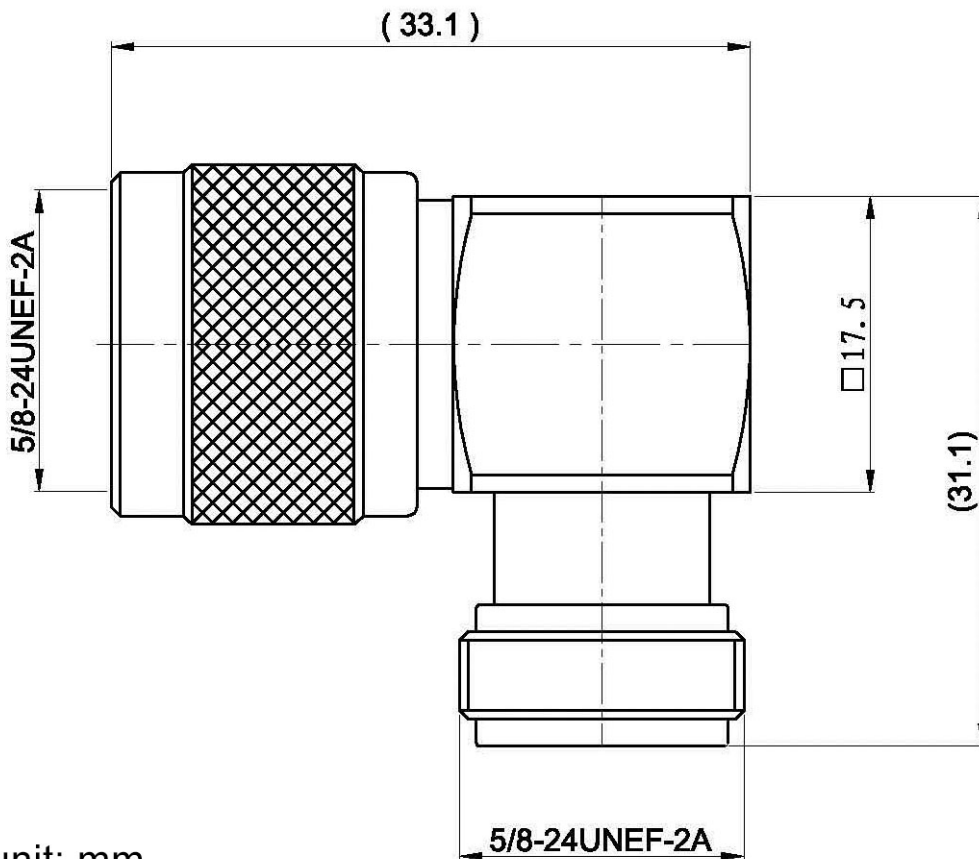


**ELECTRICAL SPECIFICATIONS:**

Impedance	50 Ω
Frequency range	dc - 11 GHz
Voltage rating	1 kVrms
Insulation resistance	5000 MΩ
Temperature range	-65 / +155 °C
Mating	500

**MATERIAL SPECIFICATIONS:**

	Material	Finishing
Body, Nut	Brass	Nickel plating
Center contact	BeCu	Gold flash
Insulator	PTFE	-



unit: mm