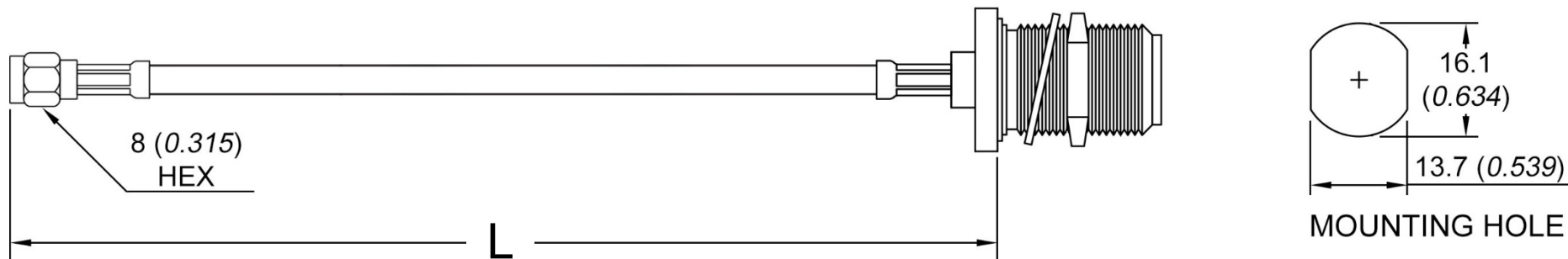


**SMA
PLUG**

**N
JACK
BULKHEAD**



MECHANICAL SPECIFICATIONS					
	Type	Geometry		Material & finishing	
Connector 1	N Jack Bulkhead	Straight		Nickel-plated Brass	
Connector 2	SMA Plug	Straight		Gold-plated Brass	
	Type	Dielectric	Jacket	Ext. diam.	Op. Temp.
Cable	RG223/U	PE	PVC	5.4 mm	-25/+85 °C
ELECTRICAL SPECIFICATIONS					
Frequency range	DC – 6 GHz VSWR 1.29 (18 dB RL)		6 – 11 GHz VSWR 1.43 (15 dB RL)		
Impedance	50 Ω				
Frequency (MHz)	Typical Attenuation (dB/m)	Frequency (MHz)	Typical Attenuation (dB/m)		
50	0.10	2400	0.78		
150	0.18	5500	1.27		
450	0.31	8000	1.60		
1000	0.48	10000	1.85		

Part #	Standard length
N15S02-12-00250	L = 25 cm
N15S02-12-00500	L = 50 cm
N15S02-12-00750	L = 75 cm
N15S02-12-01000	L = 100 cm
N15S02-12-01500	L = 150 cm
N15S02-12-02000	L = 200 cm
N15S02-12-03000	L = 300 cm

Part #	Custom length
N15S02-12-“L”	Replace L with cable length in mm



www.qaxial.com



N15S02-12 Series