

DATASHEET



ELECTRICAL SPECIFICATIONS:

Frequency range	dc – 12.4 GHz
Impedance	50 Ω
Voltage rating	335 V RMS
Insulation resistance	5000 MΩ min.
Temperature range	-65 / +165 °C
Life time	500 mating

MATERIAL SPECIFICATIONS:

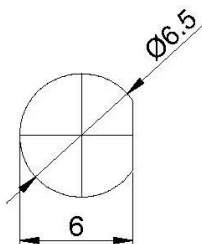
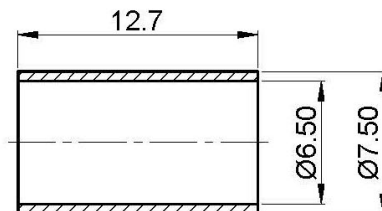
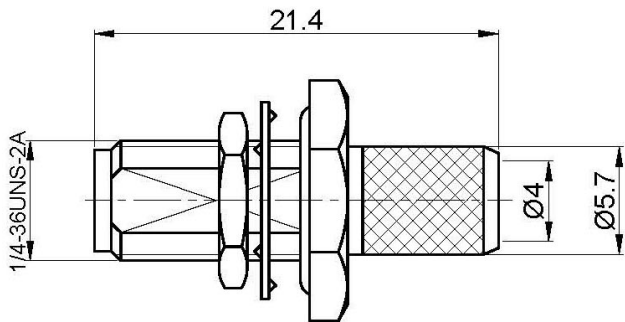
	Materials	Finishes
Connector body	Brass	Gold flash
Center contact	Brass	Gold flash
Insulator	PTFE	-

CABLE GROUP:

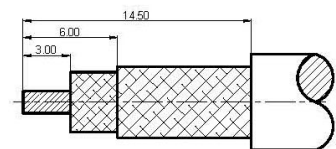
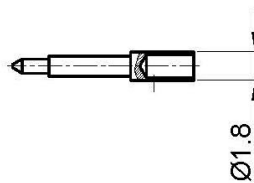
RG8X / LMR240



unit: mm



RECOMMENDED MOUNTING HOLE



STRIPPING CABLE