

**DATASHEET**



**ELECTRICAL SPECIFICATIONS:**

Frequency range	dc – 500 MHz
Impedance	50 Ω
Voltage rating	500 Vrms
Insulation Resistance	5000 MΩ
Temperature range	-65 / +165 °C
Life time	500 mating

**MATERIAL SPECIFICATIONS:**

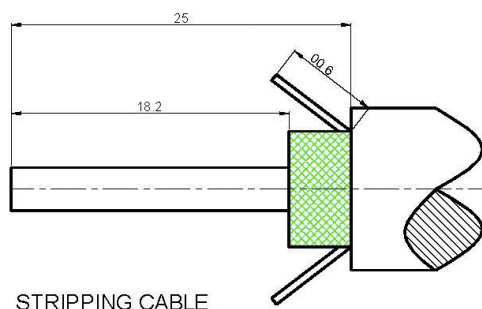
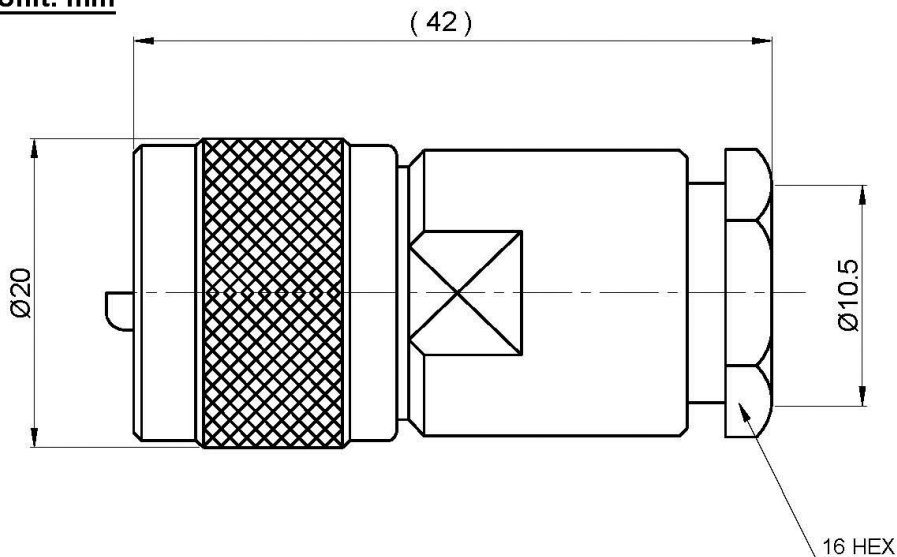
	Material	Finishing
Connector body	Brass	Nickel plating
Center contact	Brass	Gold plating
Insulator	PTFE	-

**CABLE GROUP:**

LMR400



Unit: mm



STRIPPING CABLE