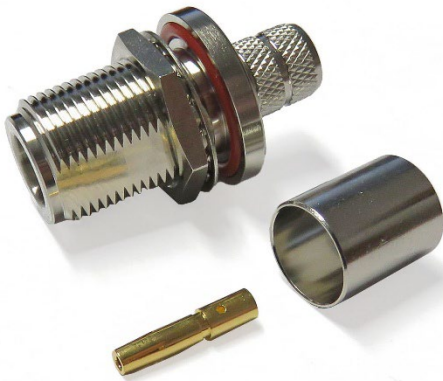


**DATASHEET**



**ELECTRICAL SPECIFICATIONS:**

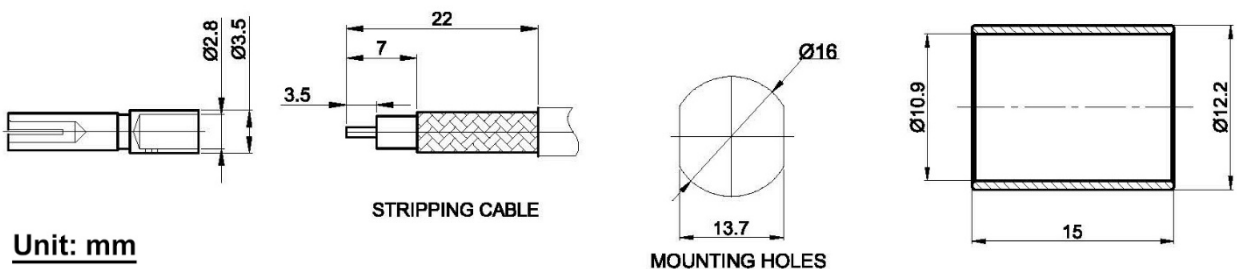
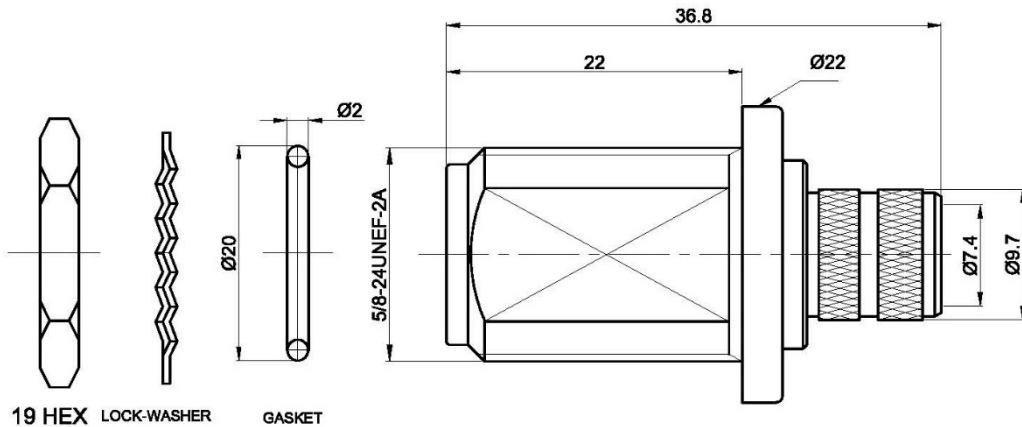
Frequency range	dc – 6 GHz
Impedance	50 Ω
Voltage rating	1.5 kV RMS
Insulation resistance	5000 MΩ min.
Temperature range	-55 / +125 °C
Life time	500 mating

**MATERIAL SPECIFICATIONS:**

	Materials	Finishes
Connector body	Brass	Nickel plating
Center contact	Phosphor bronze	Gold flash
Insulator	PTFE	-
Gasket	Silicon rubber	-

**CABLE GROUP:**

LMR400



**Unit: mm**