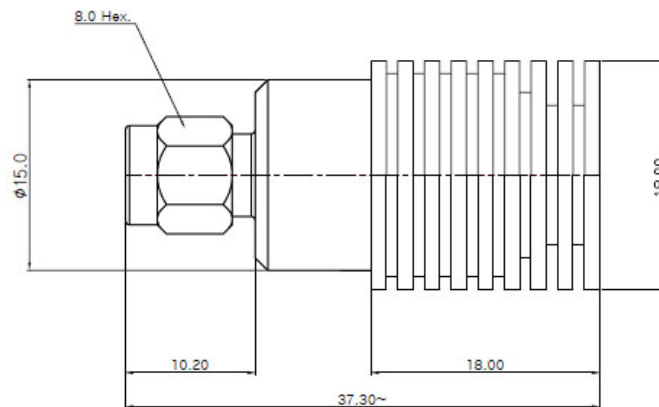


**DATASHEET****Electrical Specifications**

Frequency range	dc - 18 GHz
Impedance	50 Ω
Power rating	5 W
VSWR	≤ 1.2
Operating temperature	-55 / +85 °C
Connector type	SMA male

**Mechanical Specifications**

Connector coupling	St. steel / Passivated
Termination body	Brass / Tri-alloy palting
Insulator	PTFE



## Return Loss Vs. Frequency

