

DATASHEET**Electrical Specifications**

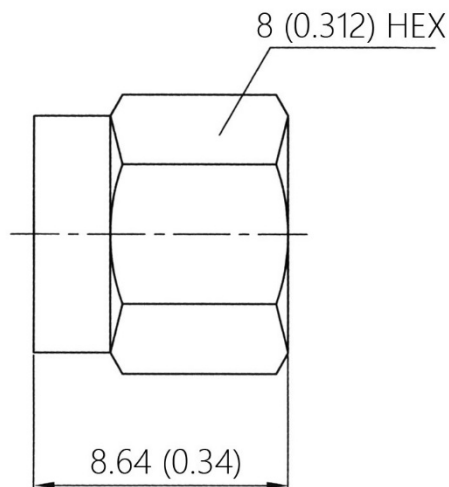
Frequency range	dc - 2.5 GHz
Impedance	50 Ω
Power rating	0.5 W
VSWR	≤ 1.2
Operating temperature	-55 / +125 °C
Connector type	SMA male

Mechanical Specifications

Connector body	Brass / Gold plating
Center contact	Phosphor Bronze / Gold plating
Insulator	PTFE



UNIT: mm (inch)



Return Loss Vs. Frequency

