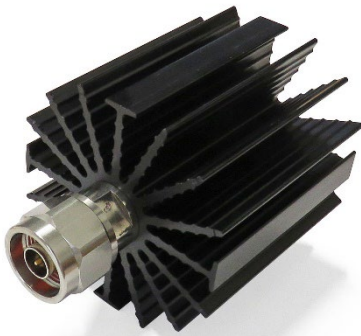


**DATASHEET****Electrical Specifications**

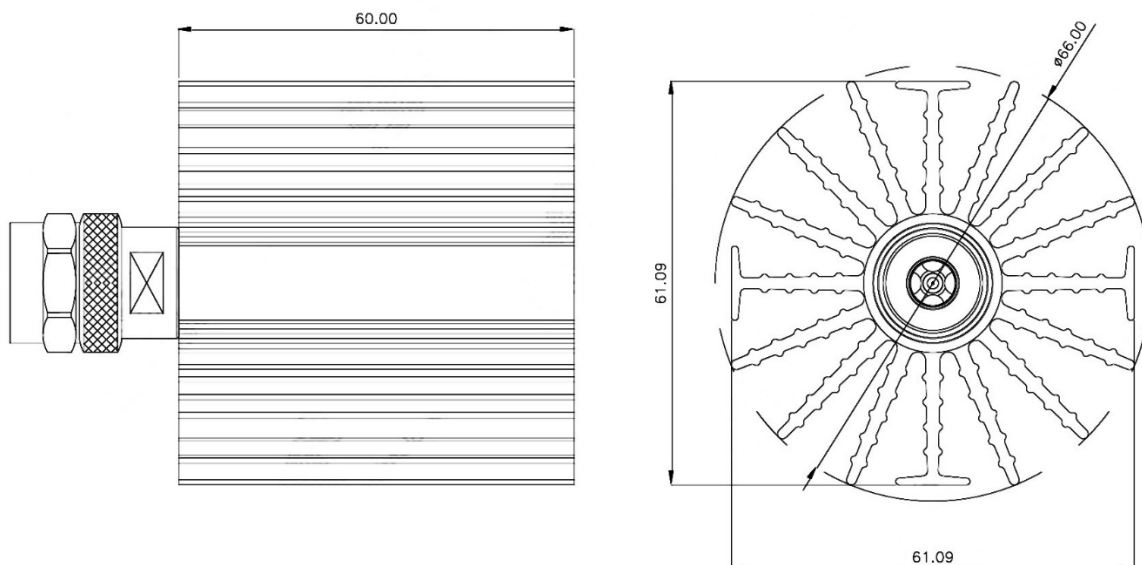
Frequency range	dc - 5 GHz
Impedance	50 $\Omega$
Power rating	30 W
VSWR	1.20 : 1
Operating temperature	-65 / +85 °C
Connector type	N male

**Mechanical Specifications**

Heat sink	Aluminium / Black Anodizing
Connector body	Brass / Nickel plating
Center contact	Brass / Gold plating
Insulator	PTFE



unit: mm



**Return Loss Vs. Frequency**

CH2: B -M -22.60 dB  
10.0 dB/ REF 0.00 dB

