

**DATASHEET**

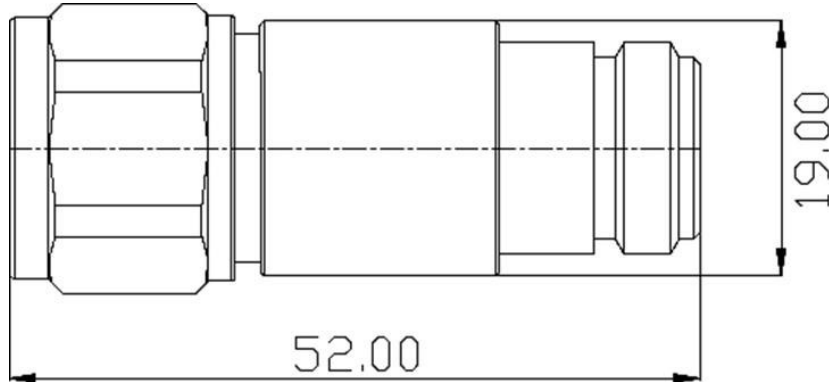


**ELECTRICAL SPECIFICATIONS:**

Frequency range	10 MHz – 6 GHz
Impedance	50 Ω
VSWR	1.20 : 1 (max.)
Insertion loss (max.)	0.45 dB (max.)
Power	2 W
Voltage rating	50 V
Connector type	N male - female

**MATERIAL SPECIFICATIONS:**

	Materials	Finishes
Body	Brass	Nickel plating
Center contact	Brass, BeCu	Gold plating
Insulator	PTFE	-



Electrical schematic

