

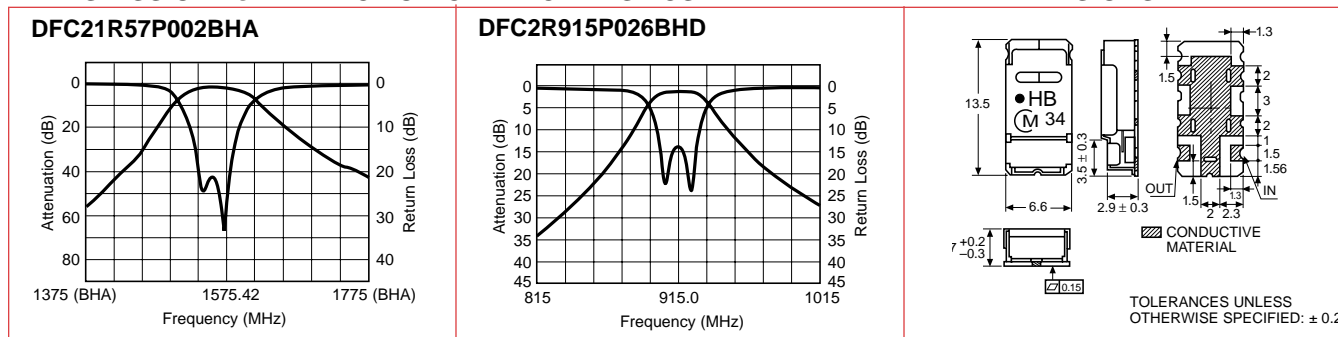
2-POLE – GPS/ ISM915 PART NUMBERING SYSTEM



DESCRIPTION	POLES	FREQUENCY IN GHZ	TYPE	BAND WIDTH	PACKAGE TYPE	SPECIFICATION DEPENDENT
DFC: Band Pass Filter	2: 2 Pole 3: 3 Pole 4: 4 Pole	R836: .836 GHz (836MHz) IR96: 1.96GHz (1960MHz)	P: Band Pass Filter E: Band Elimination Filter	025: 25MHz 186: 186MHz	HH: Monoblock LH: Monoblock BH: Discrete Resonator	A-Z

TRANSMISSION vs. REFLECTION CHARACTERISTICS

DIMENSIONS: mm

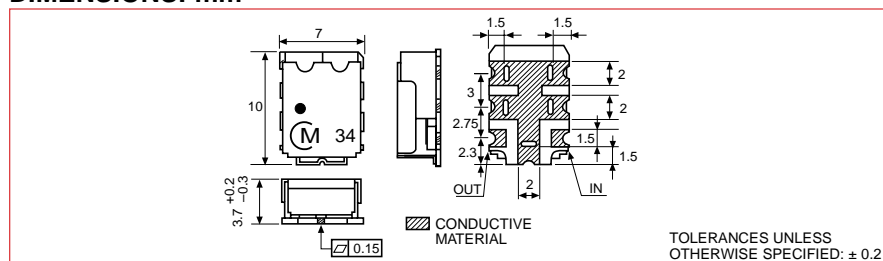


SPECIFICATIONS

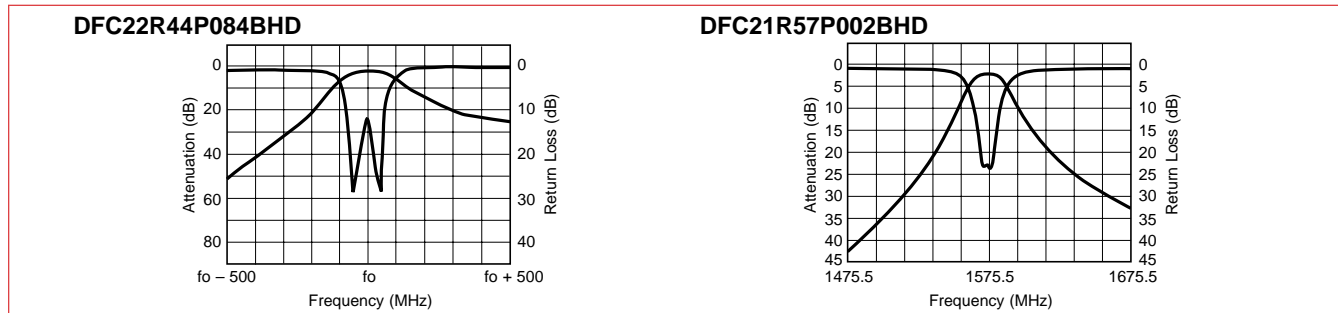
Application	Part Number	Center Frequency fo (MHz)	Bandwidth (MHz)	Insertion Loss in BW (dB)	Ripple in BW (dB)	V.S.W.R. in BW	Attenuation (dB) (MHz)	Marking
GPS	DFC21R57P002BHA	1575.42	fo ± 1.0	0.8 (+25°C)	0.3	2.0	16 (fo - 140)	HB
				0.9 (-30 ~ +85°C)			14 (fo + 140)	
ISM915	DFC2R915P026BHD	915.0	fo ± 13.0	2.3	1.0	2.0	23 (fo - 77.5) 18 (fo + 77.5)	GB

2-POLE – ISM 2.4GHZ/GPS

DIMENSIONS: mm



TRANSMISSION vs. REFLECTION CHARACTERISTICS



SPECIFICATIONS

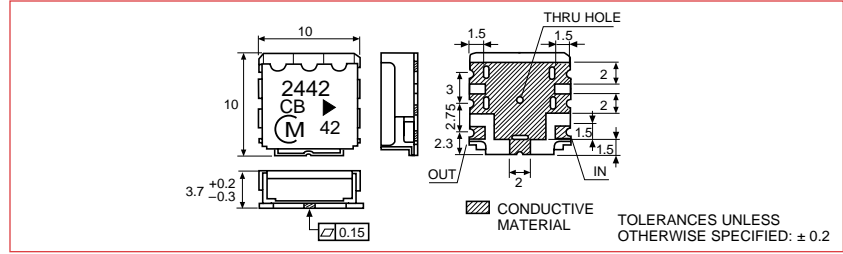
Application	Part Number	Center Frequency fo (MHz)	Bandwidth (MHz)	Insertion Loss in BW (dB)	Ripple in BW (dB)	V.S.W.R. in BW	Attenuation (dB) (MHz)	Marking
ISM 2.4GHz	DFC22R44P084BHD	2442.0	fo ± 42.0	1.0 (+25°C)	0.5	2.0	15 (fo ± 250)	GC
				1.2 (-35 ~ +85°C)				
GPS	DFC21R57P002BHD	1575.5	fo ± 1.0	3.0	0.5	2.0	12 (fo - 30)	GD
							11 (fo + 30)	
							22 (fo - 50)	
							18 (fo + 50)	

CERAMIC MICROWAVE FILTERS BAND PASS FILTERS – DP TYPE

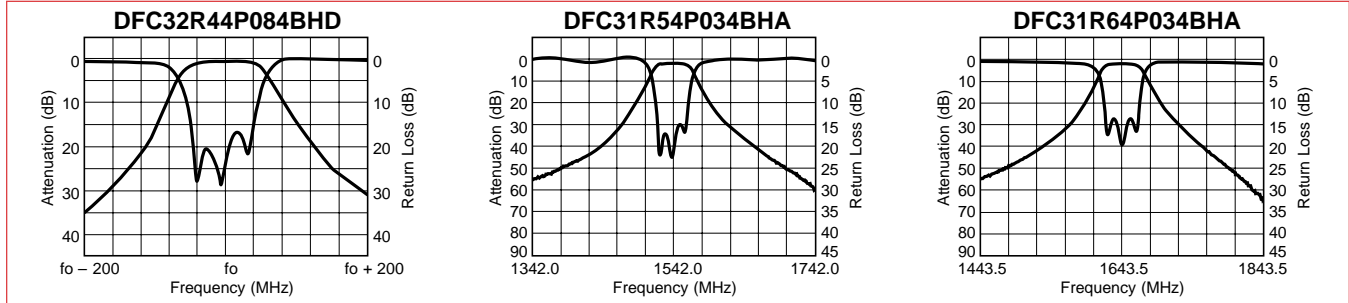
3-POLE – ISM 2.4GHz/M-SAT



DIMENSIONS: mm



TRANSMISSION vs. REFLECTION CHARACTERISTICS



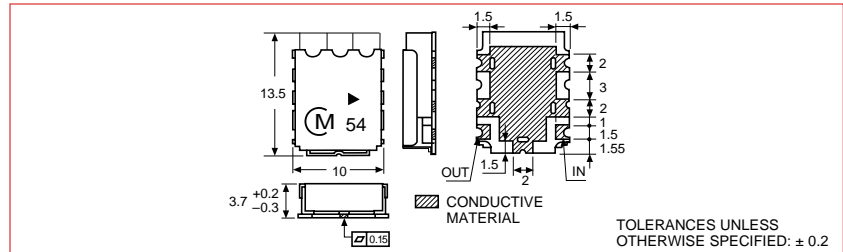
SPECIFICATIONS

Application	Part Number	Center Frequency fo (MHz)	Bandwidth (MHz)	Insertion Loss in BW (dB)	Ripple in BW (dB)	V.S.W.R. in BW	Attenuation (dB) (MHz)	Marking
ISM 2.4GHz	DFC32R44P084BHD	2442.0	fo ± 42.0	2.0 (0 ~ +85°C)	1.0	2.0	6 (fo ± 80)	2442 CB
				2.4 (-30 ~ +85°C)				
M-SAT	DFC31R54P034BHA	1542.0	fo ± 17	3.0	0.9	2.0	30 (1626.5 – 1660.5)	1643 CC
	DFC31R64P034BHA	1643.5			0.7		30 (1525 – 1559)	

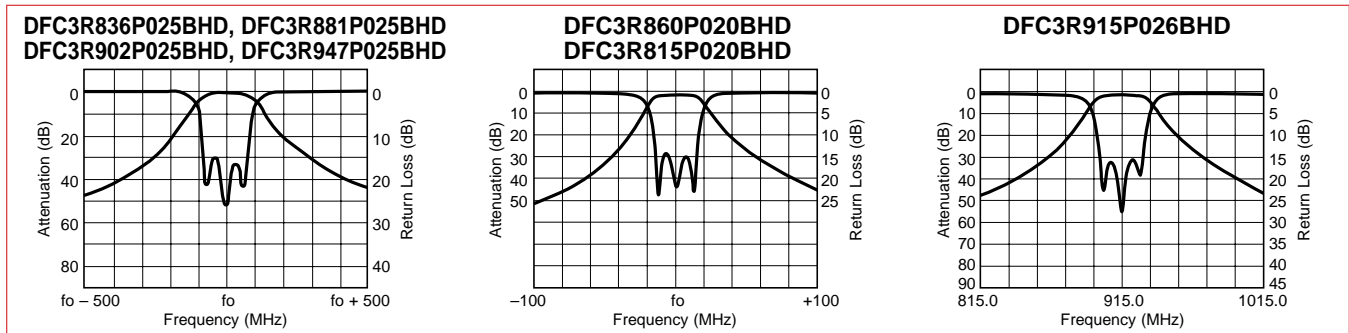
3-POLE – E-AMPS/GSM/SMR/ISM915



DIMENSIONS: mm



TRANSMISSION vs. REFLECTION CHARACTERISTICS



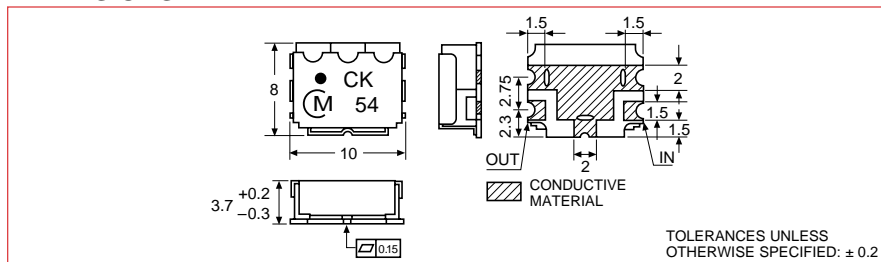
SPECIFICATIONS

Application	Part Number	Center Frequency fo (MHz)	Bandwidth (MHz)	Insertion Loss in BW (dB)	Ripple in BW (dB)	V.S.W.R. in BW	Attenuation (dB) (MHz)	Marking
E-AMPS	DFC3R836P025BHD	836.5	fo ± 12.5	2.6	1.0	2.0	12 (fo ± 32.5)	836 CC
	DFC3R881P025BHD	881.5	fo ± 12.5	2.6	1.0	2.0	12 (fo ± 32.5)	881 CA
GSM	DFC3R902P025BHD	902.5	fo ± 12.5	2.6	1.0	2.0	12 (fo ± 32.5)	902 CC
	DFC3R947P025BHD	947.5	fo ± 12.5	2.6	1.0	2.0	12 (fo ± 32.5)	947 CD
ISM915	DFC3R915P026BHD	915.0	fo ± 13	3.0	1.0	2.0	12 (fo ± 32.5)	915 CD
SMR	DFC3R815P020BHD	815	fo ± 10	2.8	0.8	2.0	36 (860 ± 10)	815 CB
	DFC3R860P020BHD	860	fo ± 10	2.8	0.8	2.0	36 (815 ± 10)	860 CC

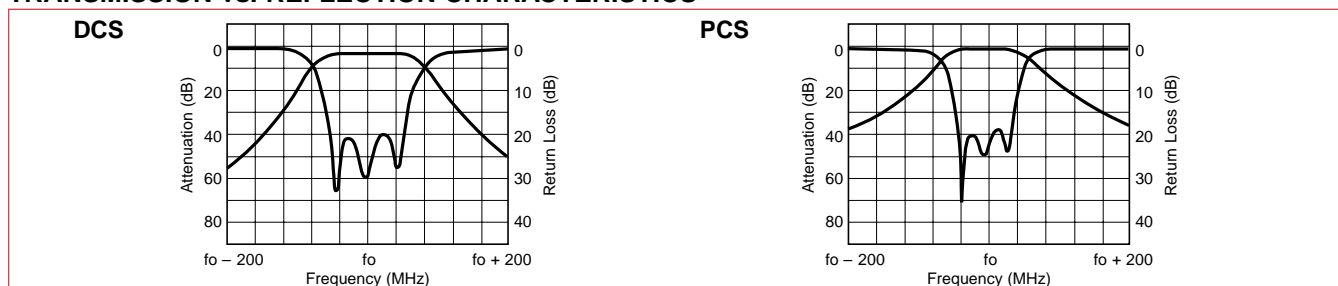
CERAMIC MICROWAVE FILTERS BAND PASS FILTERS – DP TYPE

SMD-3-POLE-PCS/DCS 1800

DIMENSIONS: mm



TRANSMISSION vs. REFLECTION CHARACTERISTICS

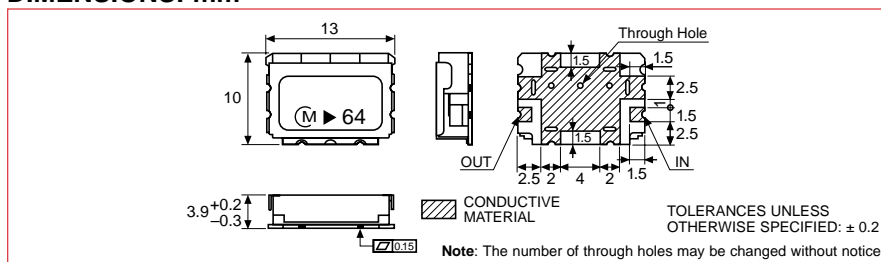
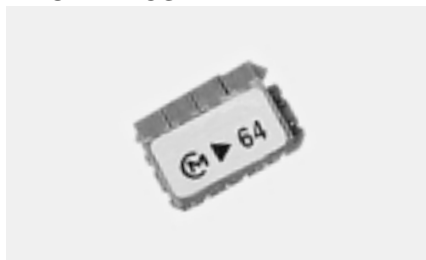


SPECIFICATIONS

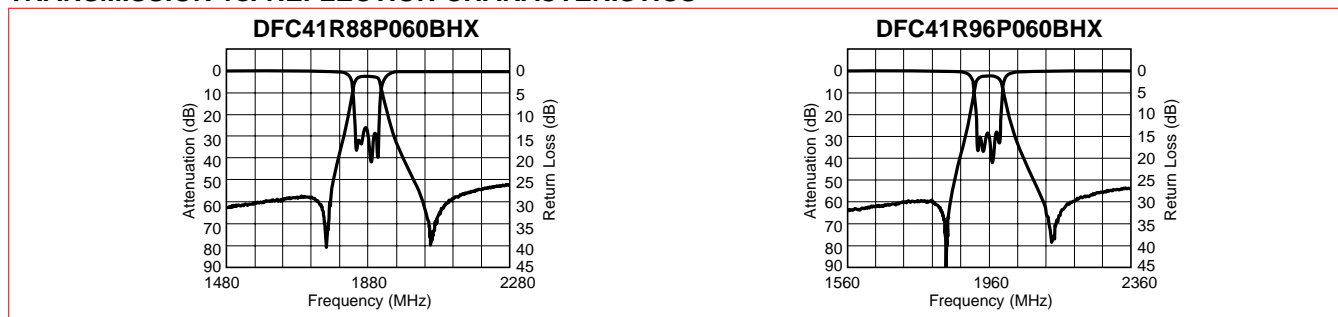
Application	Part Number	Center Frequency f_o (MHz)	Bandwidth (MHz)	Insertion Loss in BW (dB)	Ripple in BW (dB)	V.S.W.R. in BW	Attenuation (dB) (MHz)	Marking
DCS	DFC31R74P075BHD	1747.5	$f_o \pm 37.5$	2.0	1.0	2.0	8 ($f_o \pm 80$) 25 ($f_o \pm 160$)	CH
	DFC31R84P075BHD	1842.5	$f_o \pm 37.5$	2.0	0.8	2.0	8 ($f_o \pm 80$) 25 ($f_o \pm 160$)	CG
PCS	DFC31R88P060BHD	1880	$f_o \pm 30$	2.2	0.8	1.8	15 ($f_o \pm 100$)	CK
	DFC31R96P060BHD	1960	$f_o \pm 30$	2.2	0.8	1.8	48 ($f_o \pm 400$)	CL

4-POLE-PCS

DIMENSIONS: mm



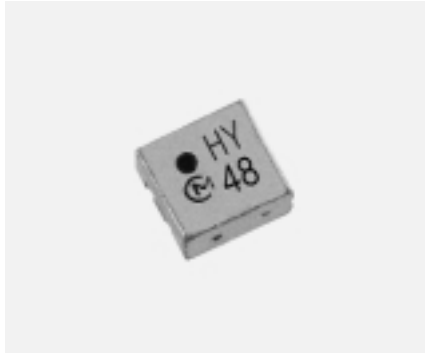
TRANSMISSION vs. REFLECTION CHARACTERISTICS



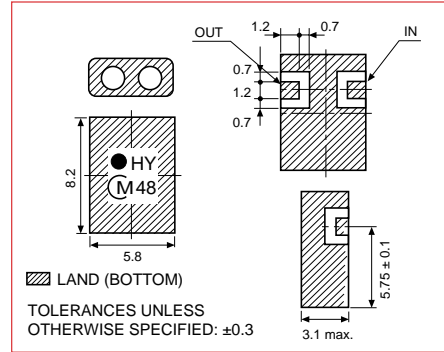
SPECIFICATIONS

Application	Part Number	Center Frequency f_o (MHz)	Bandwidth (MHz)	Insertion Loss in BW (dB)	Ripple in BW (dB)	V.S.W.R. in BW	Attenuation (dB) (MHz)	Marking
PCS	DFC41R88P060BHX	1880	$f_o \pm 30$	4.5	1.4	2.0	12 ($f_o \pm 50$)	1880 DA
							30 ($f_o \pm 100$)	
							50 ($f_o \pm 200$)	
PCS	DFC41R96P060BHX	1960	$f_o \pm 30$	4.5	1.4	2.0	12 ($f_o \pm 50$)	1960 DG
							30 ($f_o \pm 100$)	
							50 ($f_o \pm 200$)	

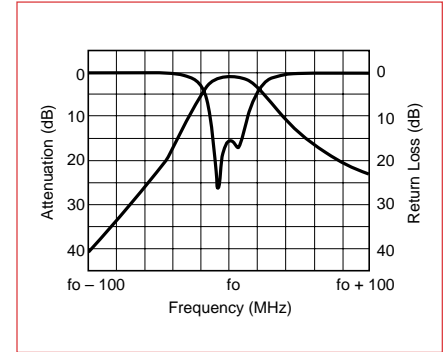
2-POLE – LOW COST



DIMENSIONS: mm



TRANSMISSION vs. REFLECTION CHARACTERISTICS



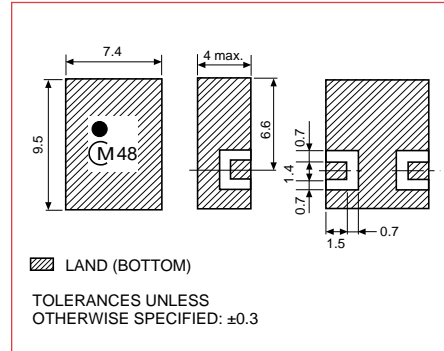
SPECIFICATIONS E-AMPS/ISM/GSM

Application	Part Number	Center Frequency fo (MHz)	Bandwidth (MHz)	Insertion Loss in BW (dB)	Ripple in BW (dB)	V.S.W.R. in BW	Attenuation (dB) (MHz)	Marking
E-AMPS	DFC2R836P025HHD	836.5	fo ± 12.5	2.6	1.2	2.3	6.5 (869 ~ 894)	HY
E-AMPS	DFC2R881P025HHD	881.5	fo ± 12.5	2.6	1.2	2.3	9 (824 ~ 849)	HZ
ISM915	DFC2R915P026HHE	915.0	fo ± 13	2.6	1.0	2.0	17 (992.5)	JV
GSM	DFC2R902P025HHB	902.5	fo ± 12.5	2.6	1.2	2.3	6.5 (935 ~ 960)	JW
GSM	DFC2R947P025HHB	947.5	fo ± 12.5	2.6	1.2	2.3	9 (890 ~ 915)	JX

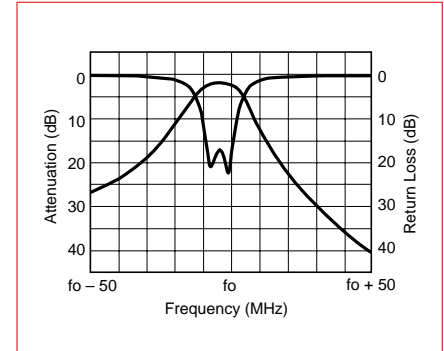
2-POLE — ISM 903/927



DIMENSIONS: mm



TRANSMISSION vs. REFLECTION CHARACTERISTICS



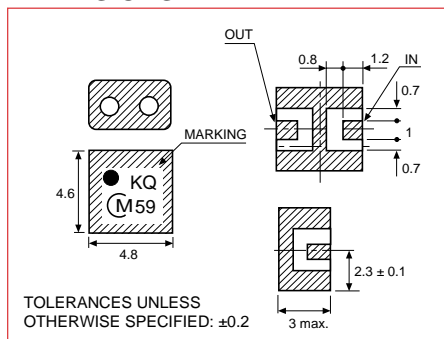
SPECIFICATIONS E-AMPS/ISM/GSM

Application	Part Number	Center Frequency fo (MHz)	Bandwidth (MHz)	Insertion Loss in BW (dB)	Ripple in BW (dB)	V.S.W.R. in BW	Attenuation (dB) (MHz)	Marking
ISM 903	DFC2R903P002HHA	903.0	fo ± 1	3.0	0.5	2.0	20 (fo ± 22)	903 BC
ISM 927	DFC2R927P002HHA	927.0	fo ± 1	3.0	0.5	2.0	15 (fo ± 22)	927 BC

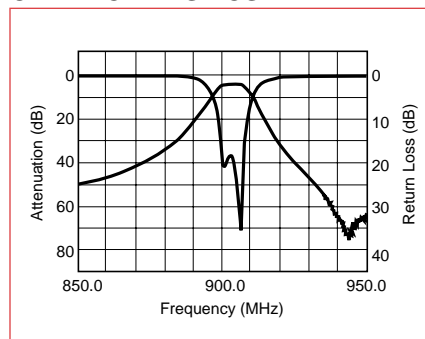
2-POLE – PCS/DCS 1800



DIMENSIONS: mm



TRANSMISSION vs. REFLECTION CHARACTERISTICS



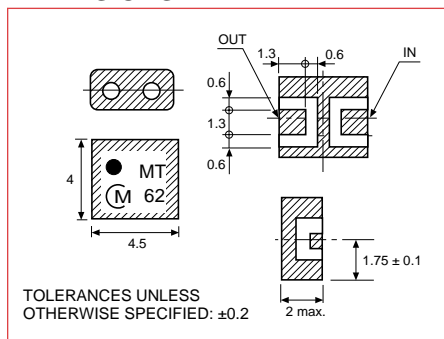
SPECIFICATIONS

Application	Part Number	Center Frequency fo (MHz)	Bandwidth (MHz)	Insertion Loss in BW (dB)	Ripple in BW (dB)	V.S.W.R. in BW	Attenuation (dB) (MHz)	Marking
PCS 1800	DFC21R88P060HHA	1880	fo ± 30	2.6	1.2	2.3	17 (fo + 100)	KW
	DFC21R96P060HHA	1960	fo ± 30	2.6	1.2	2.3	40 (fo - 400)	KX
DCS 1800	DFC21R74P075HHA	1745	fo ± 37.5	2.0	1.0	2.0	10 (1907.5)	KN
	DFC21R84P075HHA	1845	fo ± 37.5	2.0	1.0	2.0	20 (1682.5)	KQ

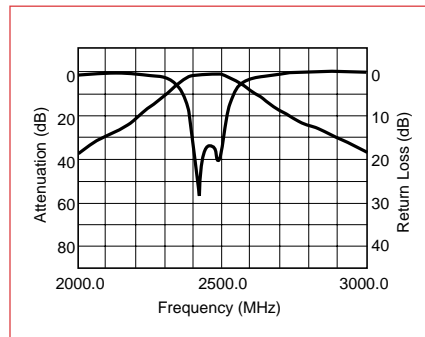
2-POLE – ISM 2.4GHz



DIMENSIONS: mm



TRANSMISSION vs. REFLECTION CHARACTERISTICS



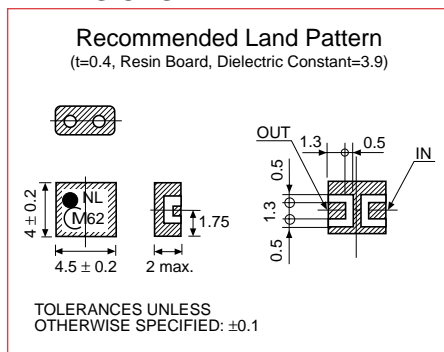
SPECIFICATIONS

Application	Part Number	Center Frequency fo (MHz)	Bandwidth (MHz)	Insertion Loss in BW (dB)	Ripple in BW (dB)	V.S.W.R. in BW	Attenuation (dB) (MHz)	Marking
ISM 2.4GHz	DFC22R44P084LHA	2442	fo ± 42	2.0	1.0	2.0	14 (fo + 250) 19 (fo - 250)	MT

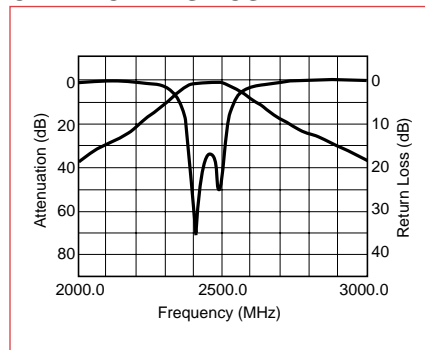
2-POLE – ISM 2.4GHz



DIMENSIONS: mm



TRANSMISSION vs. REFLECTION CHARACTERISTICS



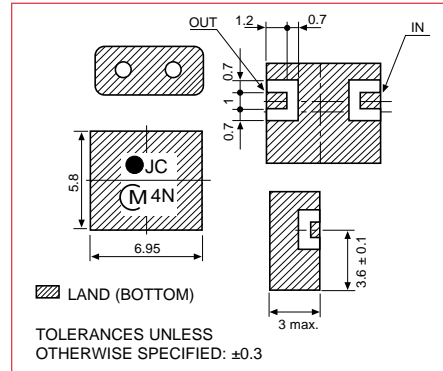
SPECIFICATIONS

Application	Part Number	Center Frequency fo (MHz)	Bandwidth (MHz)	Insertion Loss in BW (dB)	Ripple in BW (dB)	V.S.W.R. in BW	Attenuation (dB) (MHz)	Marking
ISM 2.4GHz	DFC22R45P100LHA	2450	fo ± 50	2.0	0.7	2.0	12 (fo + 250) 15 (fo - 250)	NL

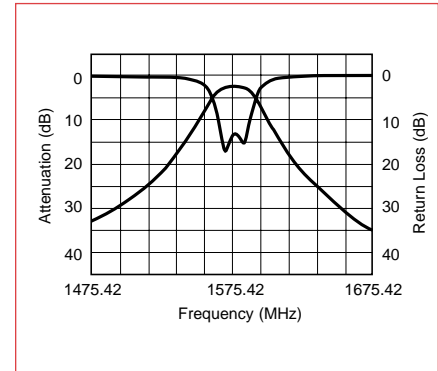
2-POLE – GPS



DIMENSIONS: mm



TRANSMISSION vs. REFLECTION CHARACTERISTICS



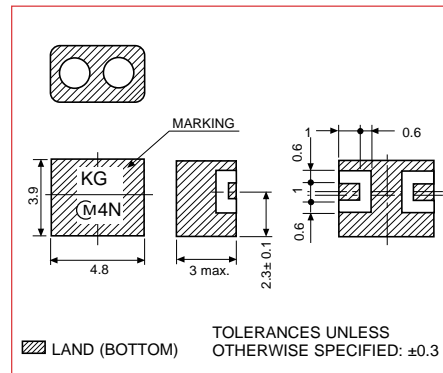
SPECIFICATIONS

Application	Part Number	Center Frequency fo (MHz)	Bandwidth (MHz)	Insertion Loss in BW (dB)	Ripple in BW (dB)	V.S.W.R. in BW	Attenuation (dB) (MHz)	Marking
GPS	DFC21R57P002HHA	1575.42	fo ± 1	2.9 (0 ~ 35°C) 3.15 (-35 ~ 85°C)	0.5	2.0	18 (fo ± 50)	JC

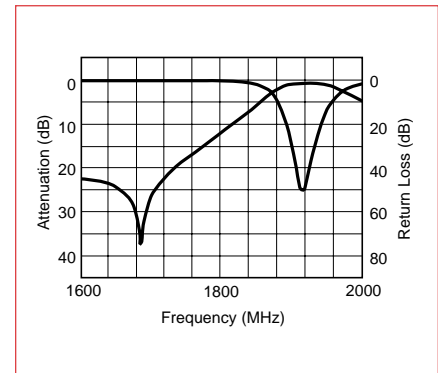
2-POLE – PCS U NLICENSED



DIMENSIONS: mm



TRANSMISSION vs. REFLECTION CHARACTERISTICS



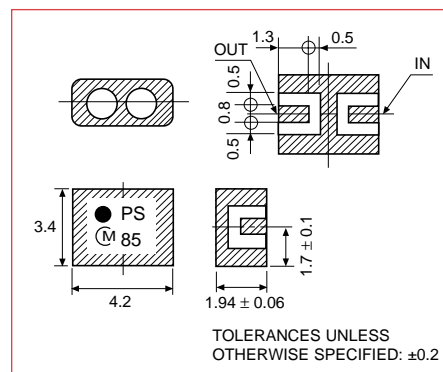
SPECIFICATIONS

Application	Part Number	Center Frequency fo (MHz)	Bandwidth (MHz)	Insertion Loss in BW (dB)	Ripple in BW (dB)	V.S.W.R. in BW	Attenuation (dB) (MHz)	Marking
PCS	DFC21R92P020HHD	1920	fo ± 10	1.9	0.5	2.0	37 (1690 – 1710)	KG

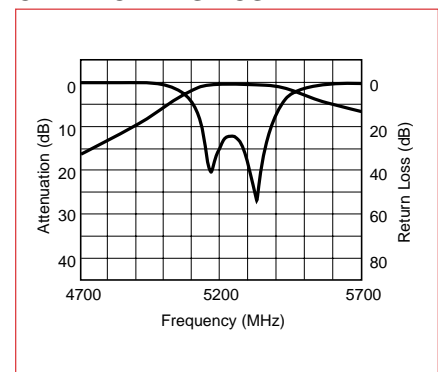
2-POLE – ISM 5.8GHZ



DIMENSIONS: mm



TRANSMISSION vs. REFLECTION CHARACTERISTICS



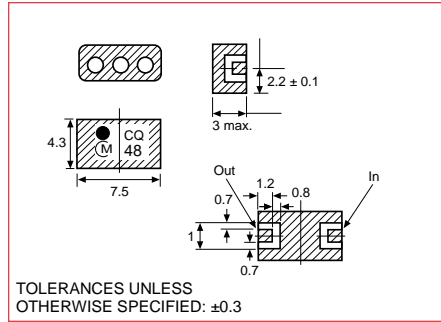
SPECIFICATIONS

Application	Part Number	Center Frequency fo (MHz)	Bandwidth (MHz)	Insertion Loss in BW (dB)	Ripple in BW (dB)	V.S.W.R. in BW	Attenuation (dB) (MHz)	Marking
ISM 5.8GHZ	DFC25R25P200LHA	5250	fo ± 100	2.0	1.0	2.0	15 Fo +375	PS
	DFC25R80P150LHA	5800	fo ± 75	2.0	1.0	2.0	5 Fo +375	PR

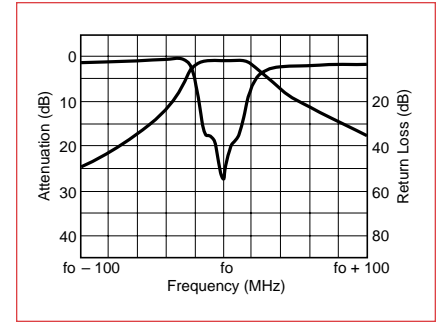
3-POLE – PCS/DCS 1800



DIMENSIONS: mm



TRANSMISSION vs. REFLECTION CHARACTERISTICS (PCS)



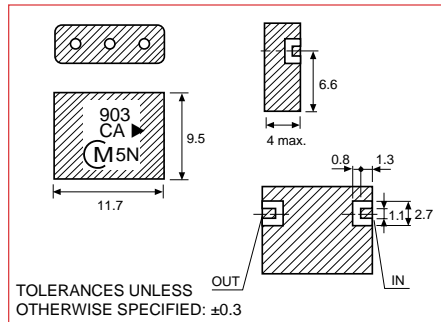
SPECIFICATIONS

Application	Part Number	Center Frequency fo (MHz)	Bandwidth (MHz)	Insertion Loss in BW (dB)	Ripple in BW (dB)	V.S.W.R. in BW	Attenuation (dB) (MHz)	Marking
PCS1900	DFC31R88P060HHA	1880.0	fo ± 30	2.4	1.0	2.0	10 (fo + 100)	CS
PCS1900	DFC31R96P060HHA	1960.0	fo ± 30	2.4	1.0	2.0	18 (fo - 100)	CT
DCS1800	DFC31R74P075HHA	1747.5	fo ± 37.5	2.8	1.6	2.0	7 (fo + 80)	CQ
DCS1800	DFC31R84P075HHA	1842.5	fo ± 37.5	2.8	1.6	2.0	13 (fo - 80)	CR

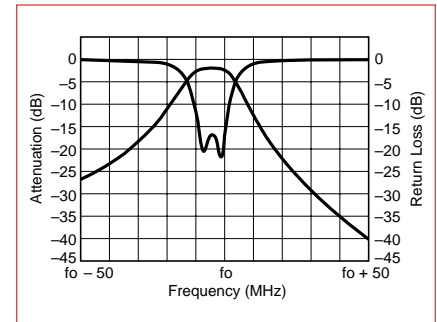
3-POLE – ISM 903/927



DIMENSIONS: mm



TRANSMISSION vs. REFLECTION CHARACTERISTICS



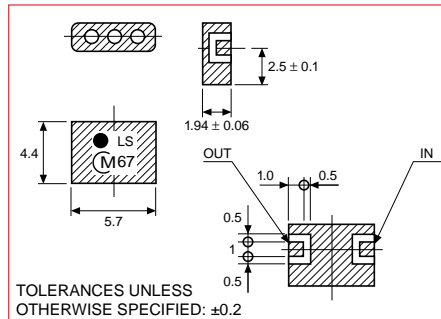
SPECIFICATIONS

Application	Part Number	Center Frequency fo (MHz)	Bandwidth (MHz)	Insertion Loss in BW (dB)	Ripple in BW (dB)	V.S.W.R. in BW	Attenuation (dB) (MHz)	Marking
ISM903	DFC3R903P002HHA	903	fo ± 1.0	5.3	0.5	2.0	35 (925)	903 CA
ISM927	DFC3R927P002HHA	927	fo ± 1.0	5.3	0.5	2.0	29 (905)	927 CA

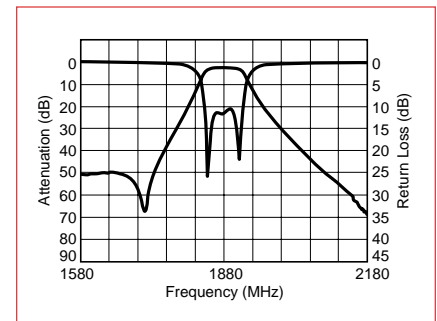
3-POLE – PCS 1800



DIMENSIONS: mm



TRANSMISSION vs. REFLECTION CHARACTERISTICS



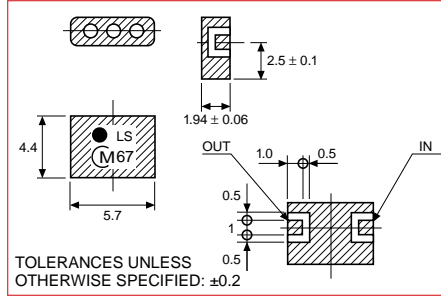
SPECIFICATIONS

Application	Part Number	Center Frequency fo (MHz)	Bandwidth (MHz)	Insertion Loss in BW (dB)	Ripple in BW (dB)	V.S.W.R. in BW	Attenuation (dB) (MHz)	Marking
PCS1900	DFC31R88P060LHA	1880.0	fo ± 30	3.7	2.0	3.0	43 (1640 ~ 1664)	LS
							25 (1770)	
							5 (1830)	
							5 (1930)	
							22 (1990)	
43 (2096 ~ 2156)								

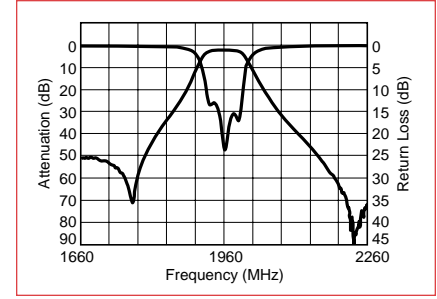
3-POLE – PCS



DIMENSIONS: mm



TRANSMISSION vs. REFLECTION CHARACTERISTICS



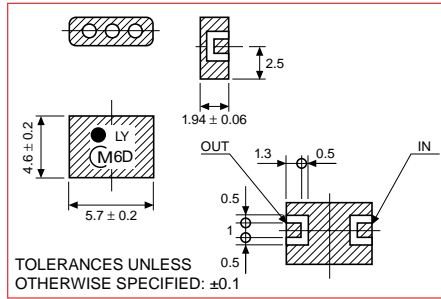
SPECIFICATIONS

Application	Part Number	Center Frequency fo (MHz)	Bandwidth (MHz)	Insertion Loss in BW (dB)	Ripple in BW (dB)	V.S.W.R. in BW	Attenuation (dB) (MHz)	Marking
PCS1900	DFC31R96P060LHA	1960	fo ± 30	3.7	2.0	3.0	43 (1684 ~ 1744)	LT
							25 (1850)	
							5 (1910)	
							5 (2010)	
							22 (2070)	
43 (2176 ~ 2263)								

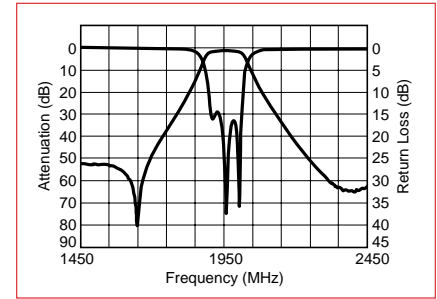
3-POLE – PCS



DIMENSIONS: mm



TRANSMISSION vs. REFLECTION CHARACTERISTICS



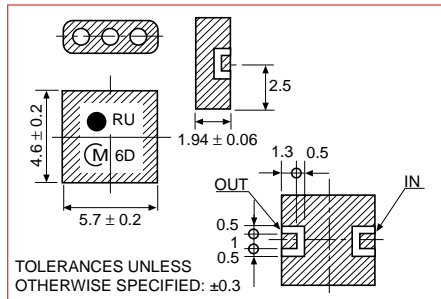
SPECIFICATIONS

Application	Part Number	Center Frequency fo (MHz)	Bandwidth (MHz)	Insertion Loss in BW (dB)	Ripple in BW (dB)	V.S.W.R. in BW	Attenuation (dB) (MHz)	Marking
PCS1900	DFC31R96P060LHB	1960	fo ± 30	3.0	1.0	2.0	45 (1684 ~ 1744)	LY
							10 (1498 ~ 1860)	
							10 (2060 ~ 2360)	
							25 (2360 ~ 3000)	

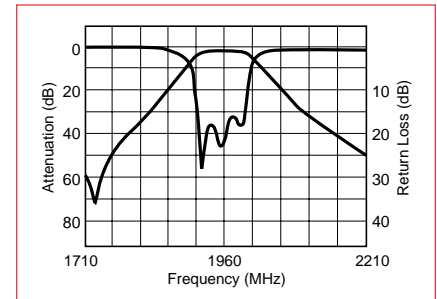
3-POLE – PCS



DIMENSIONS: mm



TRANSMISSION vs. REFLECTION CHARACTERISTICS



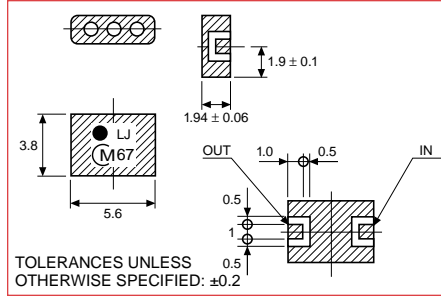
SPECIFICATIONS

Application	Part Number	Center Frequency fo (MHz)	Bandwidth (MHz)	Insertion Loss in BW (dB)	Ripple in BW (dB)	V.S.W.R. in BW	Attenuation (dB) (MHz)	Marking
PCS1900	DFC31R96P060LHC	1960	fo ± 30	2.8	1.0	2.0	10 (1860)	RU
							17 (2060)	

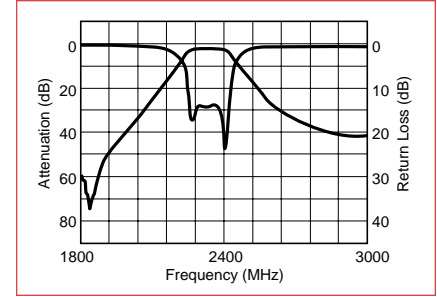
3-POLE – ISM 2.4GHz



DIMENSIONS: mm



TRANSMISSION vs. REFLECTION CHARACTERISTICS



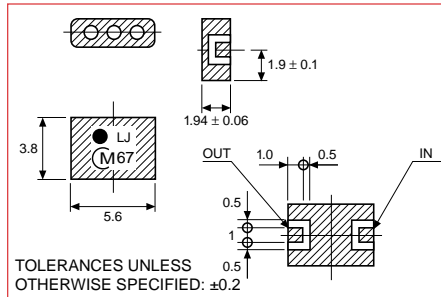
SPECIFICATIONS

Application	Part Number	Center Frequency fo (MHz)	Bandwidth (MHz)	Insertion Loss in BW (dB)	Ripple in BW (dB)	V.S.W.R. in BW	Attenuation (dB) (MHz)	Marking
ISM 2.4	DFC32R48P084LHA	2448	fo ± 42	3.2	1.5	2.0	30 (Fo -250)	LJ
							28 (Fo +250)	

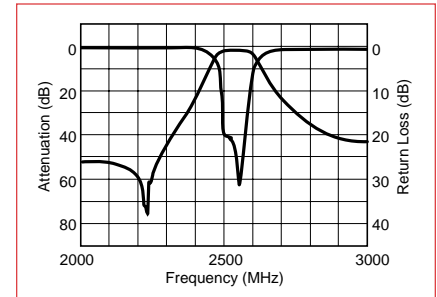
3-POLE – ISM 2.4GHz



DIMENSIONS: mm



TRANSMISSION vs. REFLECTION CHARACTERISTICS



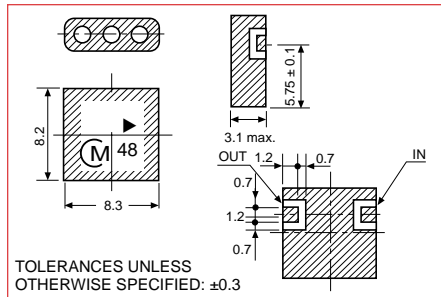
SPECIFICATIONS

Application	Part Number	Center Frequency fo (MHz)	Bandwidth (MHz)	Insertion Loss in BW (dB)	Ripple in BW (dB)	V.S.W.R. in BW	Attenuation (dB) (MHz)	Marking
ISM 2.4	DFC32R45P100LHA	2450	fo ± 50	3.2	1.5	2.0	30 (Fo -250)	LK
							28 (Fo +250)	

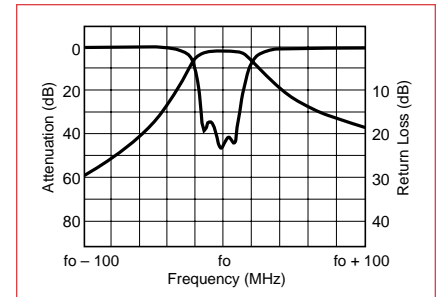
3-POLE – E-AMPS/GSM/ISM 915



DIMENSIONS: mm



TRANSMISSION vs. REFLECTION CHARACTERISTICS

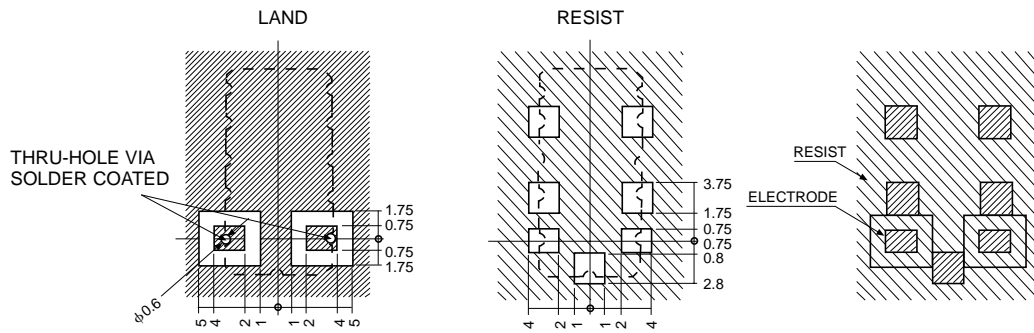


SPECIFICATIONS

Application	Part Number	Center Frequency fo (MHz)	Bandwidth (MHz)	Insertion Loss in BW (dB)	Ripple in BW (dB)	V.S.W.R. in BW	Attenuation (dB) (MHz)	Marking
Cellular	DFC3R836P025HHD	836.5	fo ± 12.5	3.0	1.0	2.0	12 (864 - 894)	836 CD
Cellular	DFC3R881P025HHD	881.5	fo ± 12.5	3.0	1.0	2.0	15 (824 - 849)	881 CC
ISM 915	DFC3R915P026HHC	915.0	fo ± 13	3.0	1.0	2.0	12 (+32.5)	915 CF
							15 (-32.5)	
GSM	DFC3R902P025HHD	902.5	fo ± 12.5	2.6	1.0	2.0	12 (935 - 960)	902 CD
GSM	DFC3R947P025HHD	947.5	fo ± 12.5	3.0	1.0	2.0	.15 (890 - 915)	947 CE

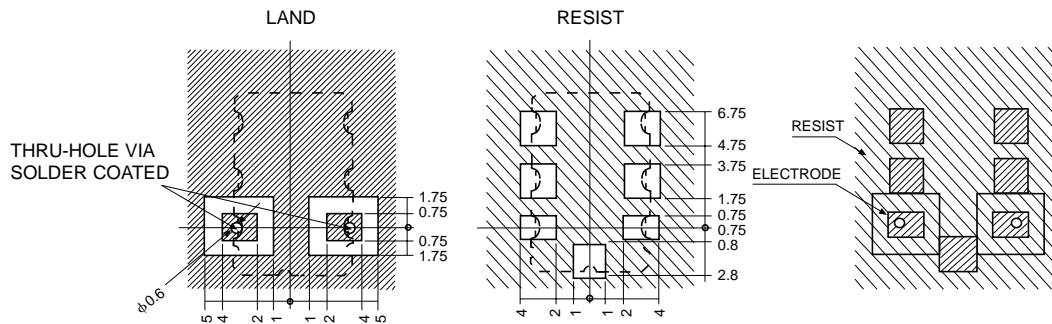
DP TYPE/GPS-2-POLE

DFC21R57P002BHA
DFC2R915P026BHD



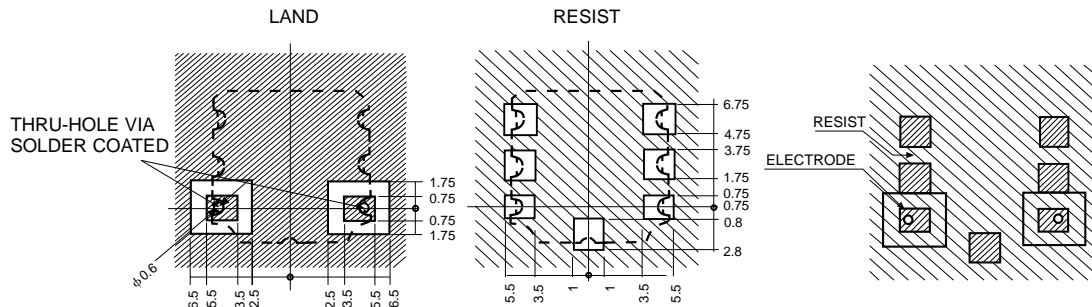
DP TYPE/ISM 2.4GHM-2-POLE

DFC22R44P084BHD
DFC21R57P002BHD



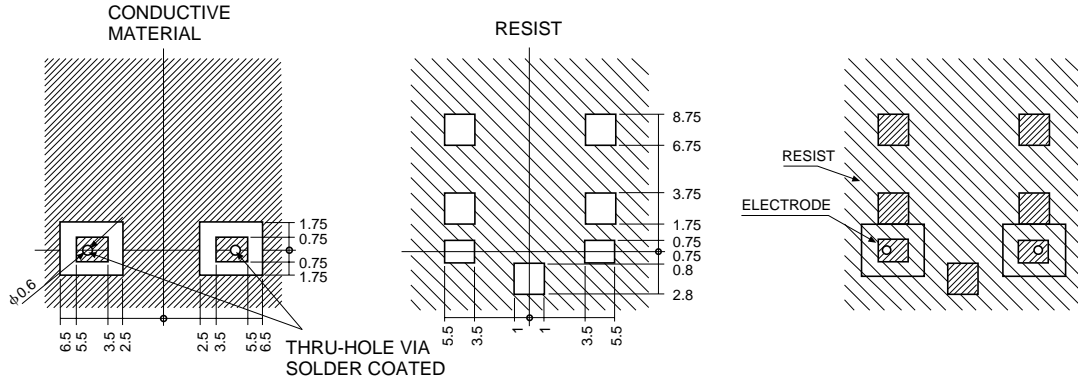
DP TYPE/ISM 2.4GHM-3-POLE

DFC32R44P084BHD
DFC31R54P034BHA
DFC31R64P034BHA



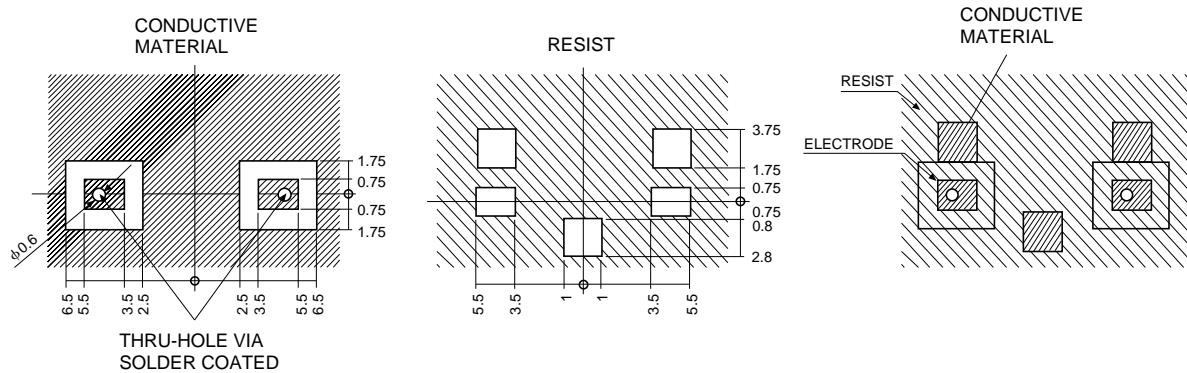
DP TYPE /E-AMPS/GSM/EGSM/E-TACS – 3-POLE

- DFC3R836P025BHD DFC3R915P026BHD
- DFC3R881P025BHD DFC3R815P020BHD
- DFC3R902P025BHD DFC3R860P020BHD
- DFC3R947P025BHD
- DFC3R888P033BHD
- DFC3R933P033BHD



DP TYPE /PCS/DCS 1800 – 3-POLE

- DFC31R74P075BHD
- DFC31R84P075BHD
- DFC31R88P060BHD
- DFC31R96P060BHD



ALSO AVAILABLE:

Application	Part Number 2-Pole	Marking	Application	Part Number 3-Pole	Marking	Application	Part Number 4-Pole	Marking
GSM	DFC2R902E025BHD	BP	EGSM	DFC3R897P035BHD	897 CB	EGSM	DFC4R897P035BHD	897 DA
				DFC3R942P035BHD	942 CA		DFC4R942P035BHD	942 DA
			GSM	DFC4R902P025BHA	902 DA	DCS 1800	DFC41R74P075BHx	1747 DC
				DFC4R947P025BHA	947 DA		DFC41R84P075BHx	1842 DG
			MDS	DFC32R15P020BHD	2156 CA	MMDS	DFC42R59P186BHD	2593 DB

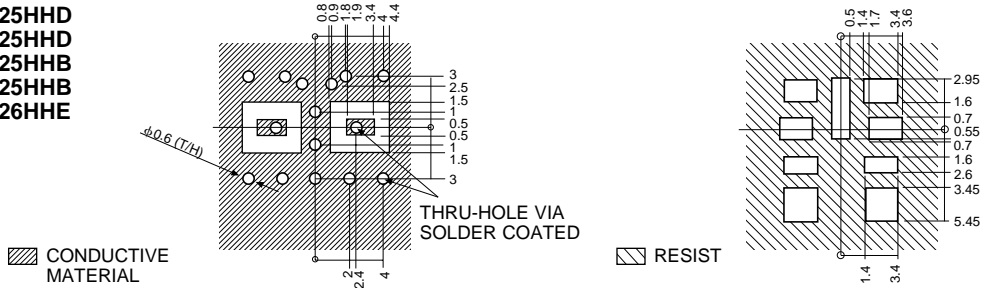
CERAMIC MICROWAVE FILTERS

CERAMIC MICROWAVE FILTERS

STANDARD LAND PATTERNS—BAND PASS FILTERS

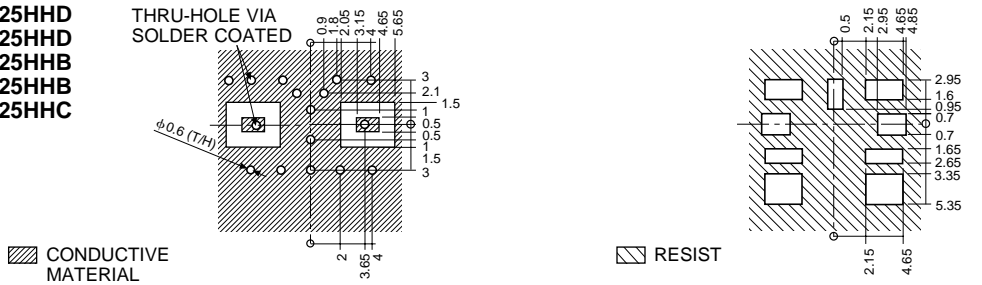
MB TYPE/E-AMPS/GSM/ISM 915—2-POLE

DFC2R836P025HHD
DFC2R881P025HHD
DFC2R902P025HHD
DFC2R947P025HHD
DFC2R915P026HHE



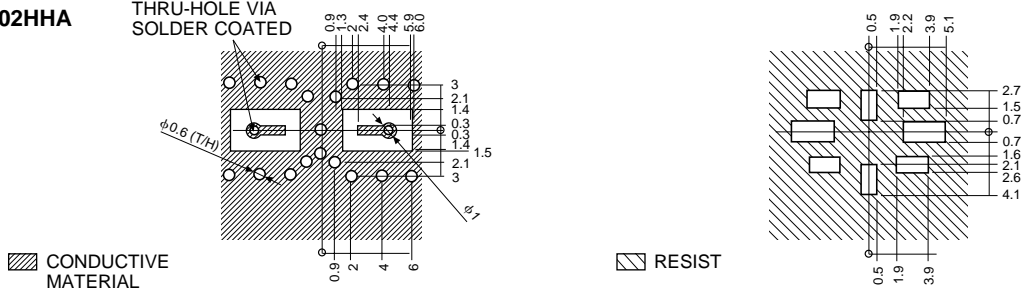
MB TYPE/E-AMPS/GSM/ISM 915—3-POLE

DFC3R836P025HHD
DFC3R881P025HHD
DFC3R902P025HHD
DFC3R947P025HHD
DFC3R915P025HHC



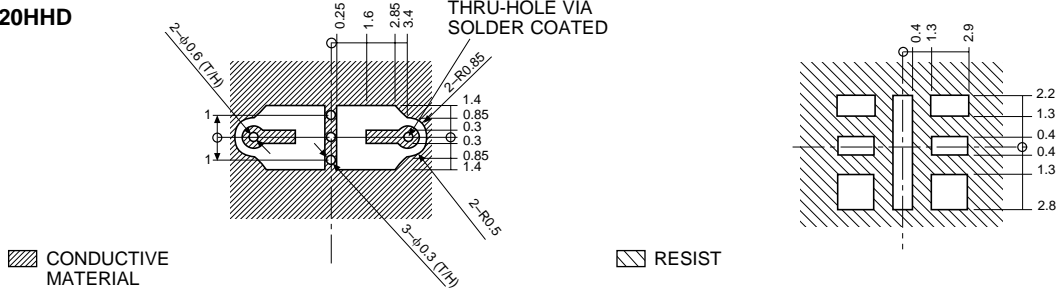
MB TYPE/GPS—2-POLE

DFC21R57P002HHA



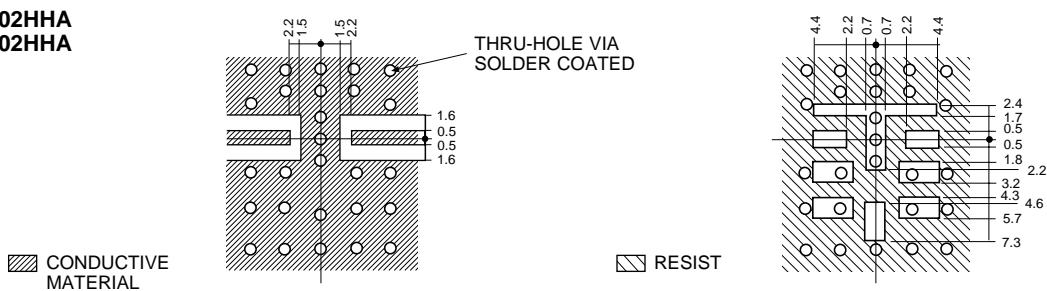
MB TYPE/PCS (UNLICENSED)—2-POLE

DFC21R92P020HHD



MB TYPE/ISM/903/927—2-POLE

DFC2R903P002HHA
DFC2R927P002HHA

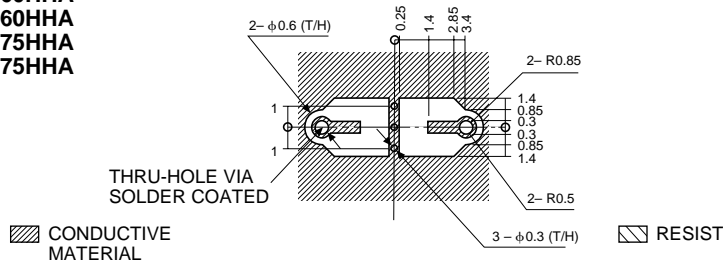


CERAMIC MICROWAVE FILTERS

STANDARD LAND PATTERNS—BAND PASS FILTERS

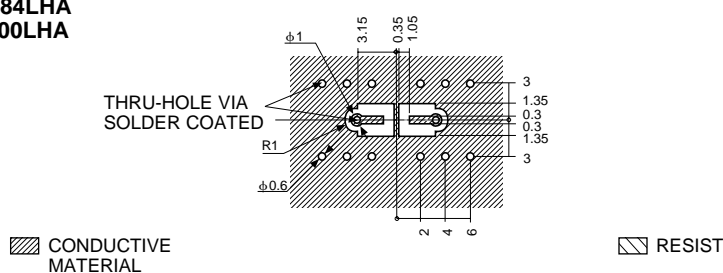
MB TYPE/PCS/DCS 1800—2-POLE

DFC21R88P060HHA
DFC21R96P060HHA
DFC21R74P075HHA
DFC21R84P075HHA



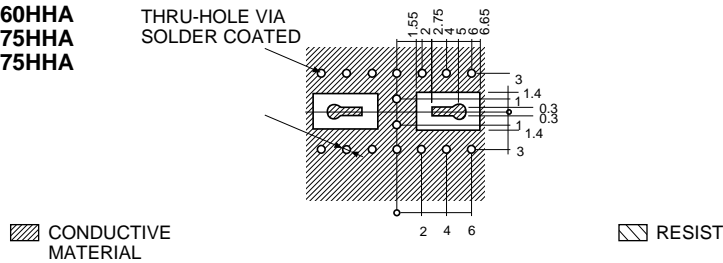
MB TYPE/2.4 ISM—2-POLE

DFC22R44P084LHA
DFC22R458100LHA



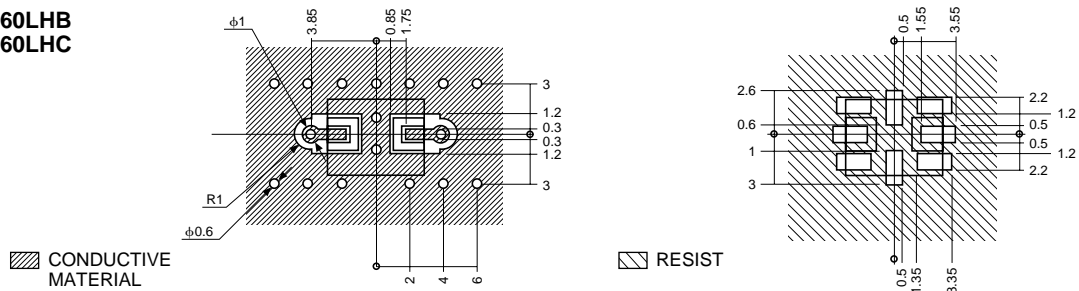
MB TYPE/PCS/DCS 1800—3-POLE

DFC31R88P060HHA
DFC31R96P060HHA
DFC31R74P075HHA
DFC31R84P075HHA



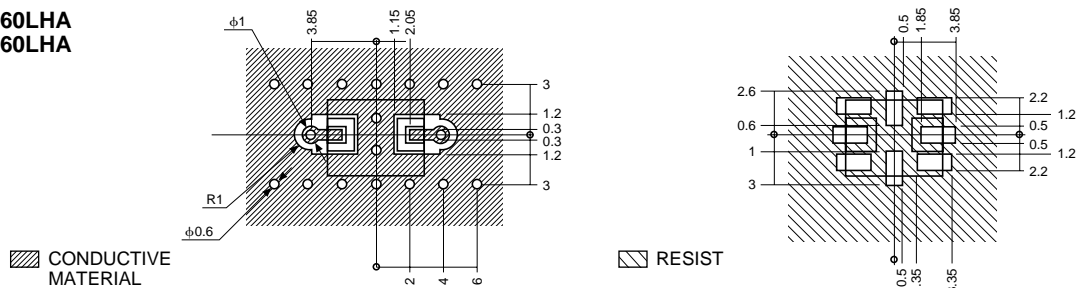
MB TYPE/PCS—3-POLE

DFC31R96P060LHB
DFC31R96P060LHC



MB TYPE/PCS—3-POLE

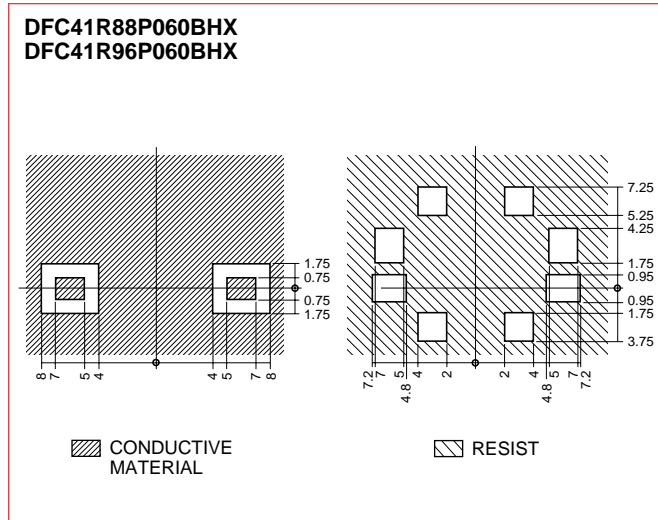
DFC31R88P060LHA
DFC31R96P060LHA



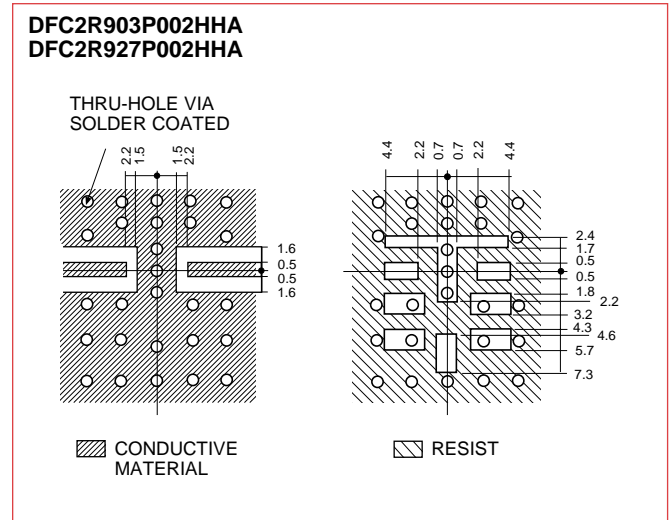
CERAMIC MICROWAVE
FILTERS

CERAMIC MICROWAVE FILTERS STANDARD LAND PATTERNS—BAND PASS FILTERS

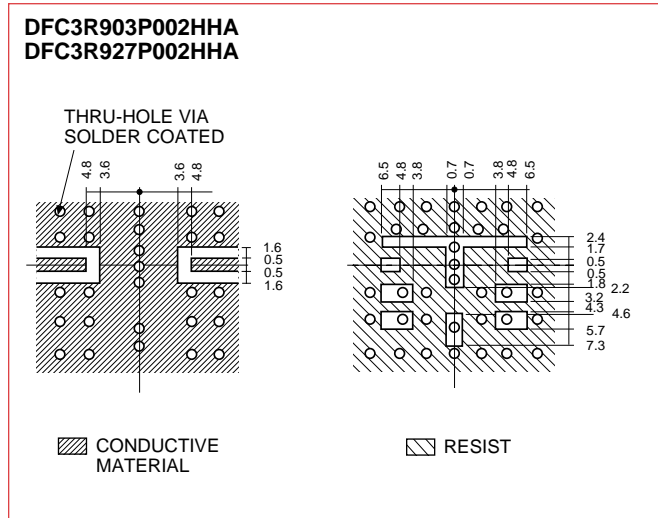
DP TYPE/PCS—4-POLE



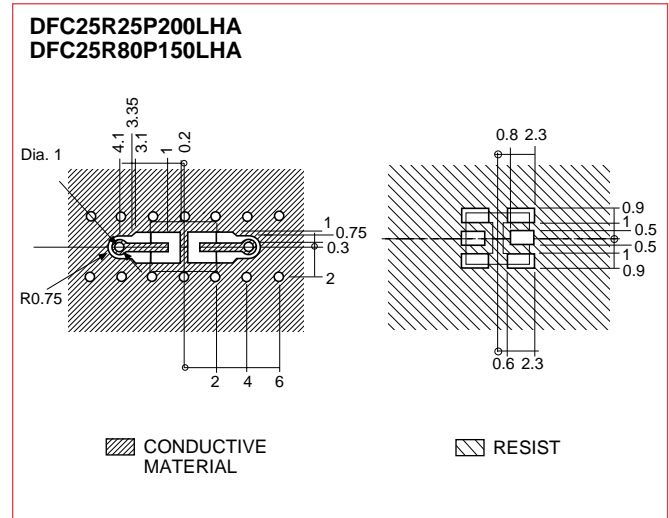
MB TYPE/ISM—2-POLE



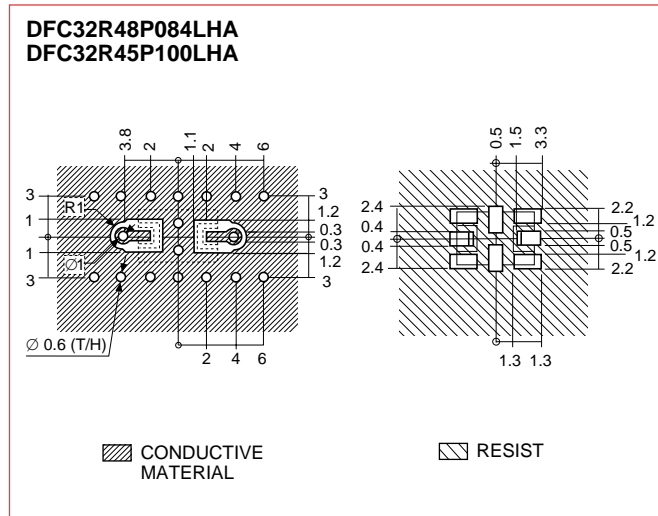
MB TYPE/ISM 903/927—3-POLE



MB TYPE/ISM 5.8GHZ—3-POLE



MB TYPE/ISM 2.4GHZ—3-POLE



ALSO AVAILABLE:

Application	Part Number	Marking
	2-Pole	
CT1	DFC2R914P001HHA	914 BB
	DFC2R959P001HHA	959 BB
	DFC2R886P002HHA	886 BB
	DFC2R931P002HHA	931 BB
PDC	DFC2R820P020HHB	JY
	DFC21R48P024LHA	PF
DECT	DFC21R89P020HHE	JR
CT2	DFC2RC866P004HHA	866 BB
	DFC21R90P025LHA	MG
PHS	DFC21R90P025LHB	NF
	DFC21R90P025LHC	NP
Application	Part Number	Marking
	3-Pole	
Cordless Phone	DFC3R914P001HHA	914 CB
	DFC3R959P001HHA	959 CB
	DFC3R886P002HHA	886 CB
	DFC3R931P002HHA	931 CB
CT2	DFC3R866P004HHA	866 CD
	DFC3R815P019HHB	815 CC
LMR	DFC3R860P019HHB	860 CE

Note: Impedance of both input and output lines should be 50ohms including land pattern. The standard condition is applying glass epoxy board (dielectric constant = 4.8, copper metalized on both surfaces) and the input and output lines are connected to 50ohms microstrip lines on the back side surface through the via hole.