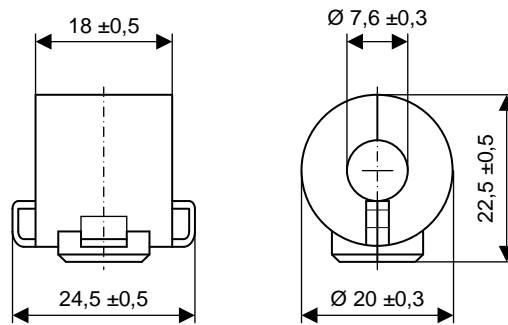


TFC 16-8-16



Impedance 25 MHz – 1 turn Impedance 100 MHz – 1 turn	75 Ω 139 Ω
Impedance 25 MHz – 2 turns Impedance 100 MHz – 2 turns	300 Ω 597 Ω
Cable diameter	max 7,2 mm
Case material	Nylon 6/6 - UL94 V-0
Cross-section of mounting band	max 1,5 x 3,0 mm

Impedance characteristic

