

**DATASHEET**



**ELECTRICAL SPECIFICATIONS:**

Frequency range	dc – 8 GHz
Impedance	50 Ω
Voltage rating	1 kV RMS
Insulation resistance	5000 MΩ min.
Temperature range	-65 / +165 °C
Life time	500 mating

**MATERIAL SPECIFICATIONS:**

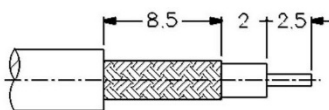
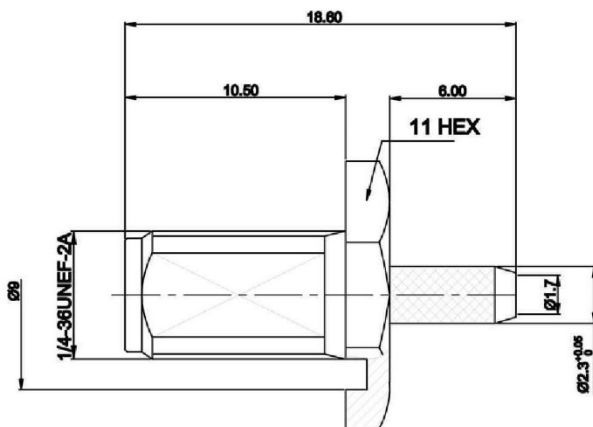
	Materials	Finishes
Connector body	Brass	Gold plating
Center contact	BeCu	Gold plating
Nut + washer	Brass	Gold plating
O-ring	Silicon	-
Insulator	PTFE	-

**CABLE GROUP:**

RG316 DOUBLE BRAID



unit: mm



RECOMMENDED  
CABLE STRIPPING DIM'S

