

DATASHEET



ELECTRICAL SPECIFICATIONS:

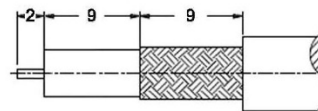
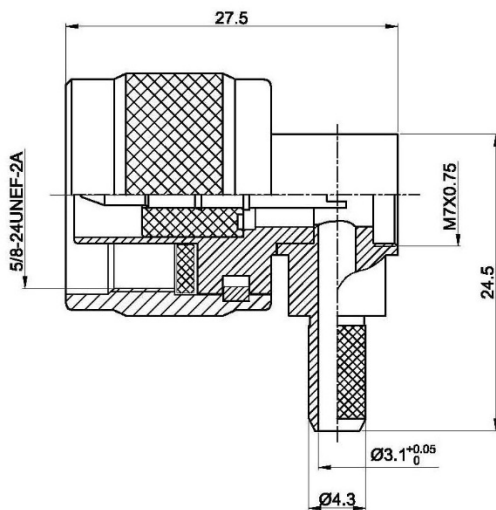
Frequency range	dc – 11 GHz
Impedance	50 Ω
Voltage rating	1 kV max. @ 50 Hz
Insulation resistance	5000 MΩ min.
Temperature range	-65 / +165 °C
Life time	500 mating

MATERIAL SPECIFICATIONS:

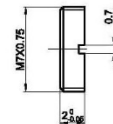
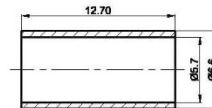
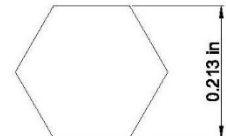
	Materials	Finishes
Connector body	Brass	Nickel plating
Center contact	Brass	Gold flash
Insulator	PTFE	-

CABLE GROUP:

RG142 / RG142A / RG142B / RG223 / RG400 / RG55



RECOMMENDED
CABLE STRIPPING DIM'S



Unit: mm