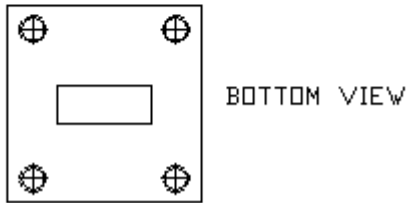
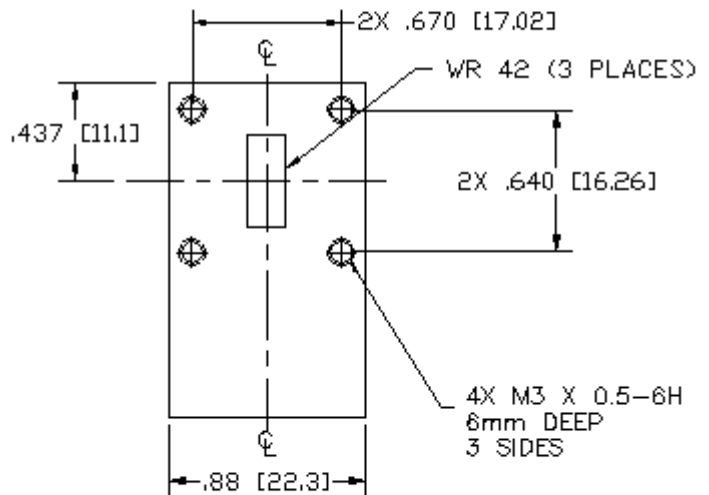
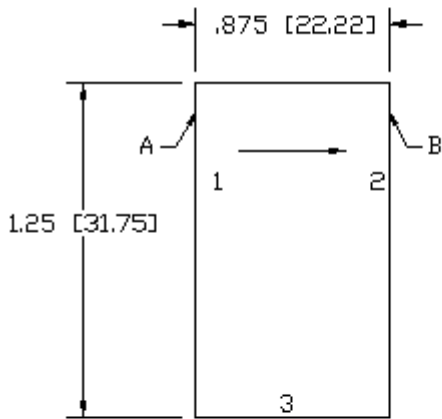
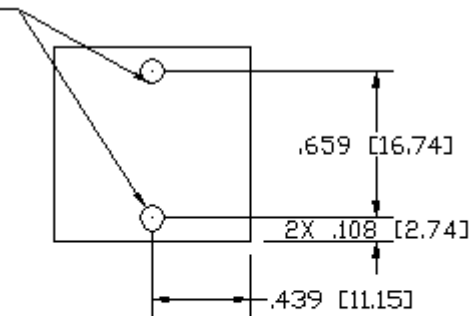




Outline Drawing - Isolators / Circulators

	WAVEGUIDE CIRCULATOR	3WR424-7	
--	----------------------	----------	--

DRILL 5.0 MAX TO DRILL POINT
& TAP M3 X 0.5 X 4 DEEP MIN



Frequency GHz		Temperature C		Isolation Min dB	Loss Max dB	VSWR	PowerPK Watts	PowerCW Watts	Termination Watts	Size Inch l * w * h
Min	Max	Min	Max							
17.7	19.7	-40	60	20	0.3	1.25		2	0	1.25 * 0.875 * 0.88