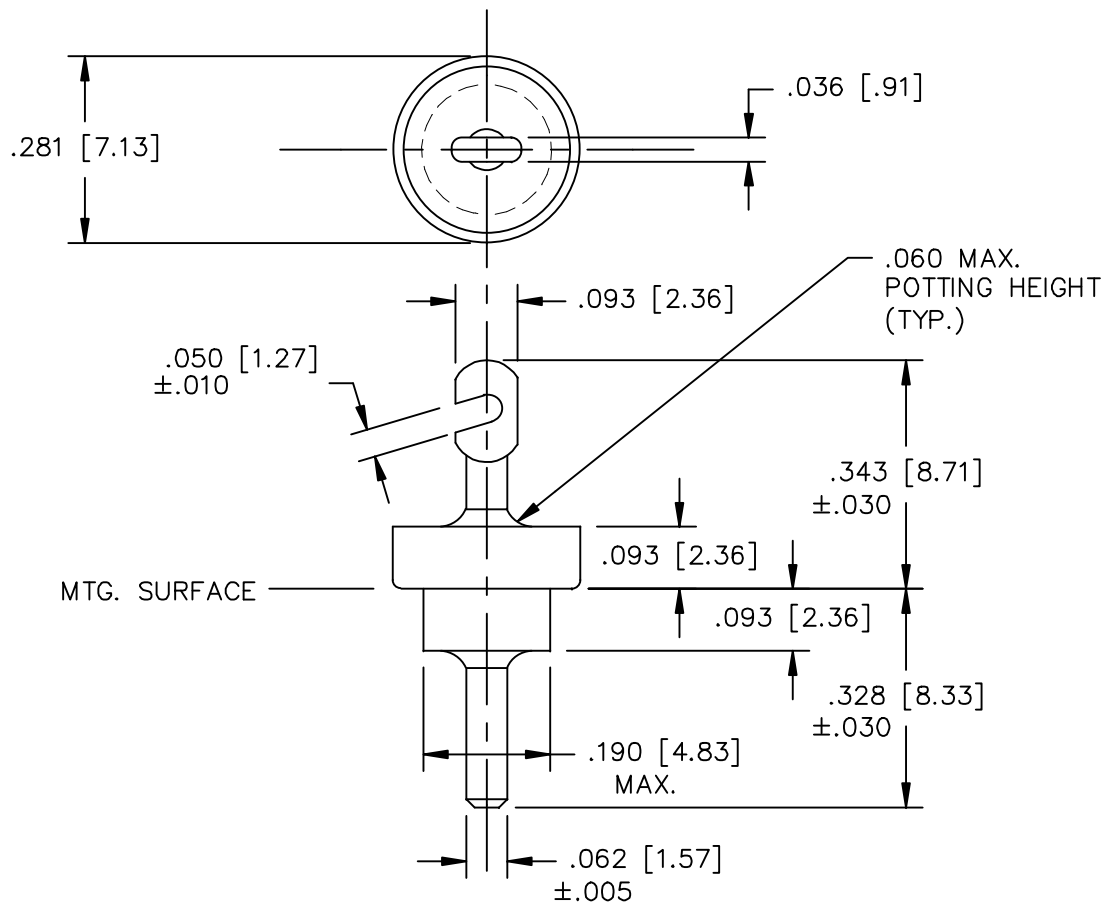


NOTES:

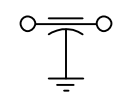
1. SUGGESTED MOUNTING HOLE =  $\phi$ .191[4.86]
2. SOLDER PREFORM SUPPLIED AS HARDWARE.
3. PRE-FLATTEN/NOTCH DIMENSIONS FOR TOP =  $.323 \pm .010$



03

LEAD FINISH: SOLDER	
BUSHING FINISH: SILVER	
CAPACITANCE	1000pF +100/-0%
TEMP. RANGE	-55°C TO 125°C
CURRENT	25 AMP MAX.
WORKING VOLTAGE	85°C VDC MAX. 125°C 500VDC MAX.
D.C. RESISTANCE	.01ohms MAX.
MIN. I.L. PER MIL-STD-220 AT 25°C NO LOAD	
FREQ. MHz	I.L. (db)
1	N/A
10	N/A
100	N/A
1 GHz	N/A
10 GHz	N/A

SCHEMATIC



MARKING:

PART: NONE  
 BAG:  
 54-794-002-102P  
 DATE CODE  
 QTY./BAG (200 MAX.)

CN. 35248-ENG	03	REV. N.D.	TOLERANCES UNLESS OTHERWISE SPECIFIED	ERIE, FAIRVIEW PENNSYLVANIA SPECTRUM CONTROL INC.	Dwn. KAUFFMAN	Description FT		
	02		Fractions $\pm 1/64$					
	01		Dec. .xx $\pm$				Date 3-01-99	CERAMIC FILTER
	00		Dec. .xxx $\pm$ .015				Engr. J. KRAUS	
	CHANGE NOTICE		00				CODE IDENT. NO. 0LSP2	DO NOT SCALE

