

# BFG540; BFG540/X; BFG540/XR

NPN 9 GHz wideband transistor

Rev. 05 — 21 November 2007

Product data sheet

## IMPORTANT NOTICE

Dear customer,

As from October 1st, 2006 Philips Semiconductors has a new trade name - NXP Semiconductors, which will be used in future data sheets together with new contact details.

In data sheets where the previous Philips references remain, please use the new links as shown below.

<http://www.philips.semiconductors.com> use <http://www.nxp.com>

<http://www.semiconductors.philips.com> use <http://www.nxp.com> (Internet)

[sales.addresses@www.semiconductors.philips.com](mailto:sales.addresses@www.semiconductors.philips.com) use [salesaddresses@nxp.com](mailto:salesaddresses@nxp.com) (email)

The copyright notice at the bottom of each page (or elsewhere in the document, depending on the version)

- © Koninklijke Philips Electronics N.V. (year). All rights reserved -

is replaced with:

- © NXP B.V. (year). All rights reserved. -

If you have any questions related to the data sheet, please contact our nearest sales office via e-mail or phone (details via [salesaddresses@nxp.com](mailto:salesaddresses@nxp.com)). Thank you for your cooperation and understanding,

NXP Semiconductors

# NPN 9 GHz wideband transistor

## BFG540; BFG540/X; BFG540/XR

### FEATURES

- High power gain
- Low noise figure
- High transition frequency
- Gold metallization ensures excellent reliability.

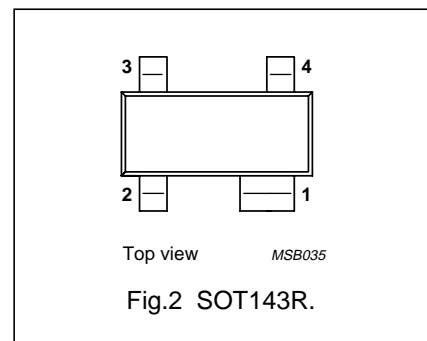
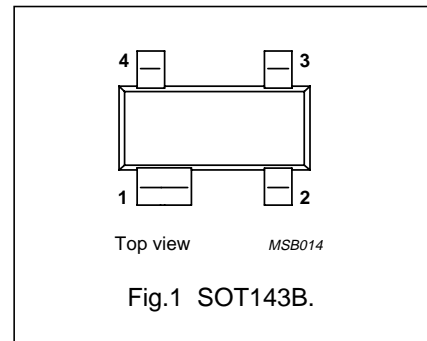
### DESCRIPTION

NPN silicon planar epitaxial transistors, intended for wideband applications in the GHz range, such as analog and digital cellular telephones, cordless telephones (CT1, CT2, DECT, etc.), radar detectors, satellite TV tuners (SATV), MATV/CATV amplifiers and repeater amplifiers in fibre-optical systems.

The transistors are mounted in plastic SOT143B and SOT143R packages.

### PINNING

PIN	DESCRIPTION
BFG540 (Fig.1) Code: %MG	
1	collector
2	base
3	emitter
4	emitter
BFG540/X (Fig.1) Code: %MM	
1	collector
2	emitter
3	base
4	emitter
BFG540/XR (Fig.2) Code: %MR	
1	collector
2	emitter
3	base
4	emitter



## NPN 9 GHz wideband transistor

BFG540; BFG540/X;  
BFG540/XR

## QUICK REFERENCE DATA

SYMBOL	PARAMETER	CONDITIONS	MIN.	TYP.	MAX.	UNIT
$V_{CBO}$	collector-base voltage	open emitter	–	–	20	V
$V_{CES}$	collector-emitter voltage	$R_{BE} = 0$	–	–	15	V
$I_C$	DC collector current		–	–	120	mA
$P_{tot}$	total power dissipation	$T_s \leq 60\text{ °C}$ ; note 1	–	–	400	mW
$h_{FE}$	DC current gain	$I_C = 40\text{ mA}$ ; $V_{CE} = 8\text{ V}$ ; $T_j = 25\text{ °C}$	100	120	250	
$C_{re}$	feedback capacitance	$I_C = 0$ ; $V_{CE} = 8\text{ V}$ ; $f = 1\text{ MHz}$	–	0.5	–	pF
$f_T$	transition frequency	$I_C = 40\text{ mA}$ ; $V_{CE} = 8\text{ V}$ ; $f = 1\text{ GHz}$ ; $T_{amb} = 25\text{ °C}$	–	9	–	GHz
$G_{UM}$	maximum unilateral power gain	$I_C = 40\text{ mA}$ ; $V_{CE} = 8\text{ V}$ ; $f = 900\text{ MHz}$ ; $T_{amb} = 25\text{ °C}$	–	18	–	dB
		$I_C = 40\text{ mA}$ ; $V_{CE} = 8\text{ V}$ ; $f = 2\text{ GHz}$ ; $T_{amb} = 25\text{ °C}$	–	11	–	dB
$ S_{21} ^2$	insertion power gain	$I_C = 40\text{ mA}$ ; $V_{CE} = 8\text{ V}$ ; $f = 900\text{ MHz}$ ; $T_{amb} = 25\text{ °C}$	15	16	–	dB
F	noise figure	$\Gamma_s = \Gamma_{opt}$ ; $I_C = 10\text{ mA}$ ; $V_{CE} = 8\text{ V}$ ; $f = 900\text{ MHz}$ ; $T_{amb} = 25\text{ °C}$	–	1.3	1.8	dB
		$\Gamma_s = \Gamma_{opt}$ ; $I_C = 40\text{ mA}$ ; $V_{CE} = 8\text{ V}$ ; $f = 900\text{ MHz}$ ; $T_{amb} = 25\text{ °C}$	–	1.9	2.4	dB
		$\Gamma_s = \Gamma_{opt}$ ; $I_C = 10\text{ mA}$ ; $V_{CE} = 8\text{ V}$ ; $f = 2\text{ GHz}$ ; $T_{amb} = 25\text{ °C}$	–	2.1	–	dB

## LIMITING VALUES

In accordance with the Absolute Maximum System (IEC 60134).

SYMBOL	PARAMETER	CONDITIONS	MIN.	MAX.	UNIT
$V_{CBO}$	collector-base voltage	open emitter	–	20	V
$V_{CES}$	collector-emitter voltage	$R_{BE} = 0$	–	15	V
$V_{EBO}$	emitter-base voltage	open collector	–	2.5	V
$I_C$	DC collector current		–	120	mA
$P_{tot}$	total power dissipation	$T_s \leq 60\text{ °C}$ ; note 1	–	400	mW
$T_{stg}$	storage temperature		–65	+150	°C
$T_j$	junction temperature		–	150	°C

## Note

- $T_s$  is the temperature at the soldering point of the collector pin.

## THERMAL CHARACTERISTICS

SYMBOL	PARAMETER	CONDITIONS	VALUE	UNIT
$R_{th\ j-s}$	thermal resistance from junction to soldering point	$T_s \leq 60\text{ °C}$ ; note 1	290	K/W

## Note

- $T_s$  is the temperature at the soldering point of the collector pin.

## NPN 9 GHz wideband transistor

BFG540; BFG540/X;  
BFG540/XR

## CHARACTERISTICS

T<sub>j</sub> = 25 °C unless otherwise specified.

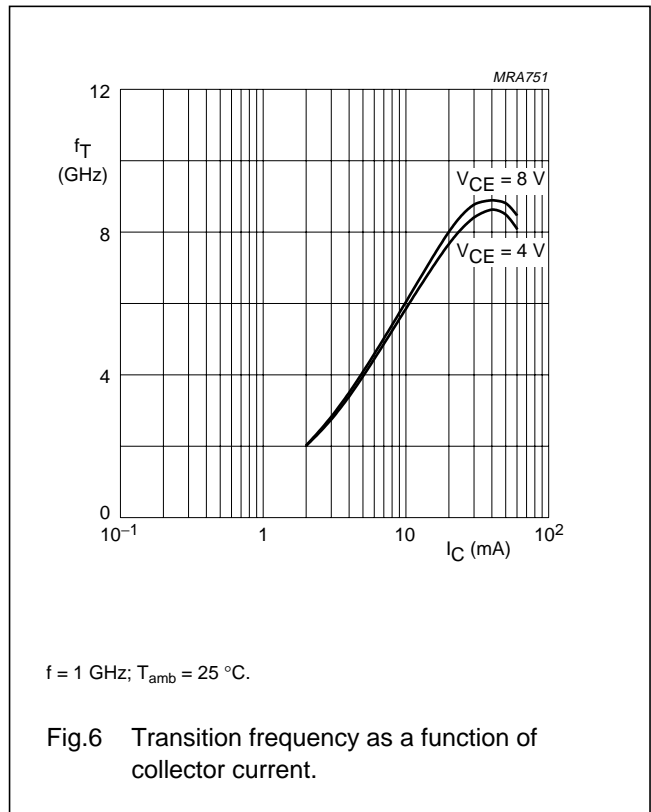
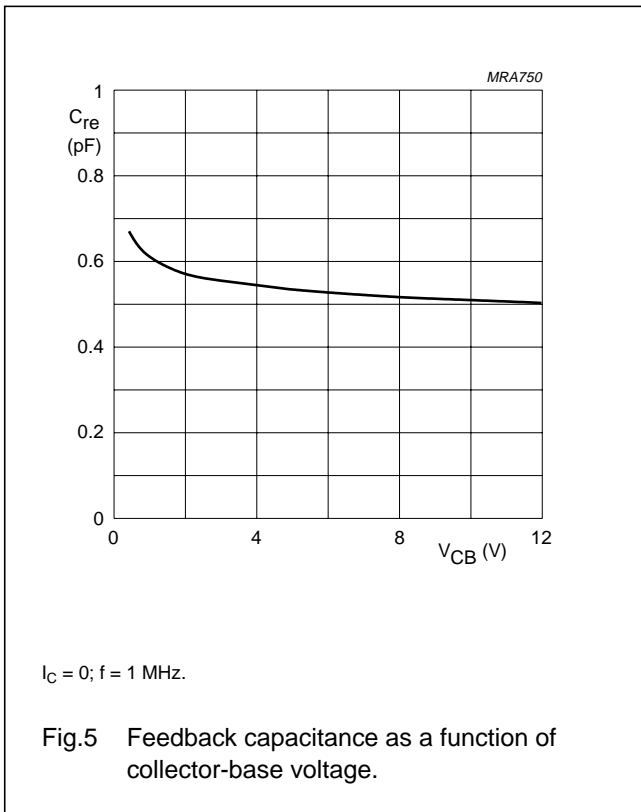
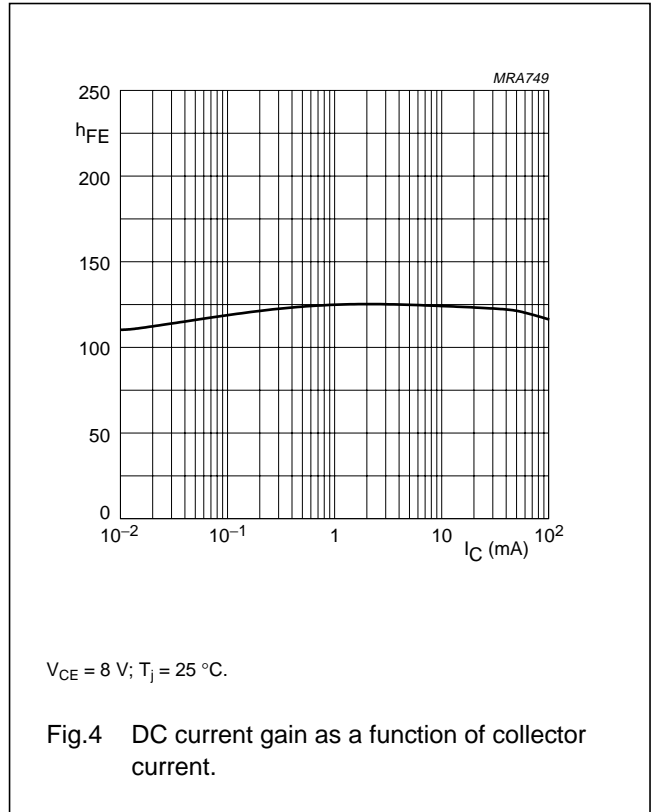
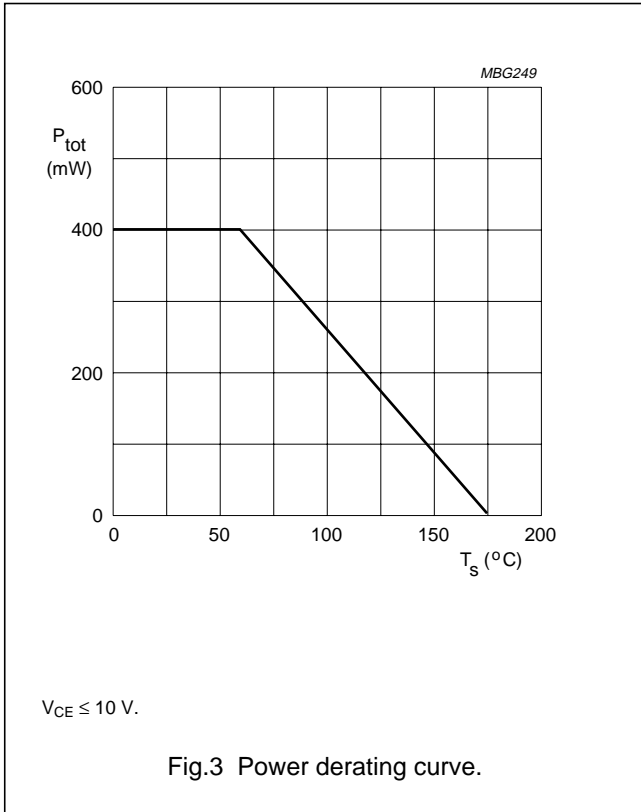
SYMBOL	PARAMETER	CONDITIONS	MIN.	TYP.	MAX.	UNIT
I <sub>CBO</sub>	collector cut-off current	I <sub>E</sub> = 0; V <sub>CB</sub> = 8 V	–	–	50	nA
h <sub>FE</sub>	DC current gain	I <sub>C</sub> = 40 mA; V <sub>CE</sub> = 8 V	60	120	250	
C <sub>e</sub>	emitter capacitance	I <sub>C</sub> = I <sub>C</sub> = 0; V <sub>EB</sub> = 0.5 V; f = 1 MHz	–	2	–	pF
C <sub>c</sub>	collector capacitance	I <sub>E</sub> = I <sub>e</sub> = 0; V <sub>CB</sub> = 8 V; f = 1 MHz	–	0.9	–	pF
C <sub>re</sub>	feedback capacitance	I <sub>C</sub> = 0; V <sub>CB</sub> = 8 V; f = 1 MHz	–	0.5	–	pF
f <sub>T</sub>	transition frequency	I <sub>C</sub> = 40 mA; V <sub>CE</sub> = 8 V; f = 1 GHz; T <sub>amb</sub> = 25 °C	–	9	–	GHz
G <sub>UM</sub>	maximum unilateral power gain (note 1)	I <sub>C</sub> = 40 mA; V <sub>CE</sub> = 8 V; f = 900 MHz; T <sub>amb</sub> = 25 °C	–	18	–	dB
		I <sub>C</sub> = 40 mA; V <sub>CE</sub> = 8 V; f = 2 GHz; T <sub>amb</sub> = 25 °C	–	11	–	dB
S <sub>21</sub>   <sup>2</sup>	insertion power gain	I <sub>C</sub> = 40 mA; V <sub>CE</sub> = 8 V; f = 900 MHz; T <sub>amb</sub> = 25 °C	15	16	–	dB
F	noise figure	Γ <sub>s</sub> = Γ <sub>opt</sub> ; I <sub>C</sub> = 10 mA; V <sub>CE</sub> = 8 V; f = 900 MHz; T <sub>amb</sub> = 25 °C	–	1.3	1.8	dB
		Γ <sub>s</sub> = Γ <sub>opt</sub> ; I <sub>C</sub> = 40 mA; V <sub>CE</sub> = 8 V; f = 900 MHz; T <sub>amb</sub> = 25 °C	–	1.9	2.4	dB
		Γ <sub>s</sub> = Γ <sub>opt</sub> ; I <sub>C</sub> = 10 mA; V <sub>CE</sub> = 8 V; f = 2 GHz; T <sub>amb</sub> = 25 °C	–	2.1	–	dB
P <sub>L1</sub>	output power at 1 dB gain compression	I <sub>C</sub> = 40 mA; V <sub>CE</sub> = 8 V; R <sub>L</sub> = 50 Ω; f = 900 MHz; T <sub>amb</sub> = 25 °C	–	21	–	dBm
ITO	third order intercept point	note 2	–	34	–	dBm
V <sub>O</sub>	output voltage	note 3	–	500	–	mV
d <sub>2</sub>	second order intermodulation distortion	note 4	–	–50	–	dB

## Notes

- G<sub>UM</sub> is the maximum unilateral power gain, assuming s<sub>12</sub> is zero and  $G_{UM} = 10 \log \frac{|s_{21}|^2}{(1 - |s_{11}|^2)(1 - |s_{22}|^2)}$  dB.
- V<sub>CE</sub> = 8 V; I<sub>C</sub> = 40 mA; R<sub>L</sub> = 50 Ω; T<sub>amb</sub> = 25 °C;  
f<sub>p</sub> = 900 MHz; f<sub>q</sub> = 902 MHz;  
measured at f<sub>(2p-q)</sub> = 898 MHz and f<sub>(2q-p)</sub> = 904 MHz.
- d<sub>im</sub> = –60 dB (DIN 45004B); I<sub>C</sub> = 40 mA; V<sub>CE</sub> = 8 V; Z<sub>L</sub> = Z<sub>S</sub> = 75 Ω; T<sub>amb</sub> = 25 °C;  
V<sub>p</sub> = V<sub>O</sub>; V<sub>q</sub> = V<sub>O</sub> –6 dB; V<sub>r</sub> = V<sub>O</sub> –6 dB;  
f<sub>p</sub> = 795.25 MHz; f<sub>q</sub> = 803.25 MHz; f<sub>r</sub> = 805.25 MHz;  
measured at f<sub>(p+q-r)</sub> = 793.25 MHz.
- I<sub>C</sub> = 40 mA; V<sub>CE</sub> = 8 V; V<sub>O</sub> = 275 mV; T<sub>amb</sub> = 25 °C;  
f<sub>p</sub> = 250 MHz; f<sub>q</sub> = 560 MHz; measured at f<sub>(p+q)</sub> = 810 MHz.

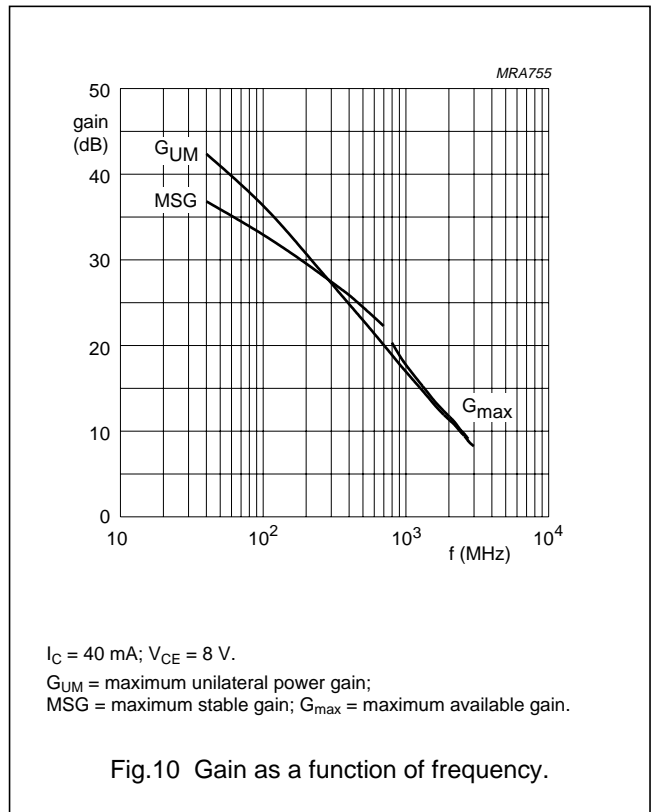
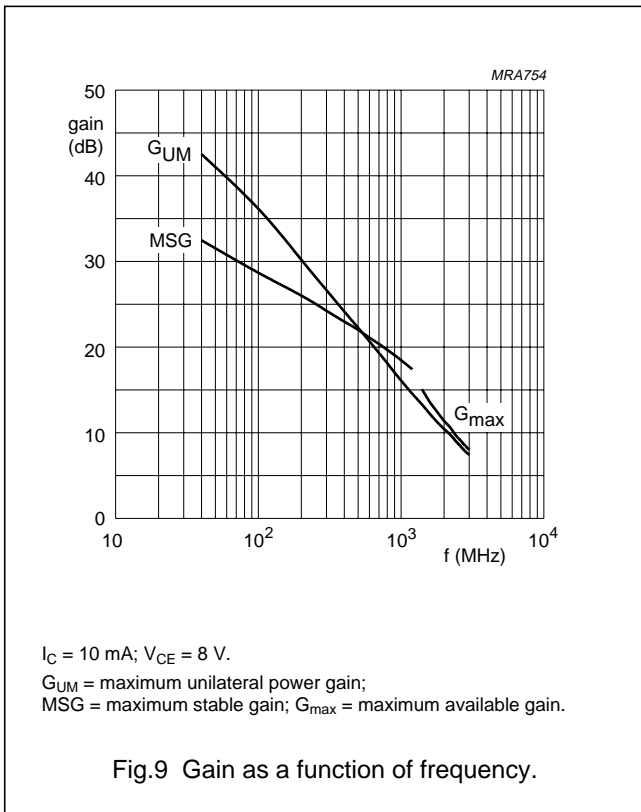
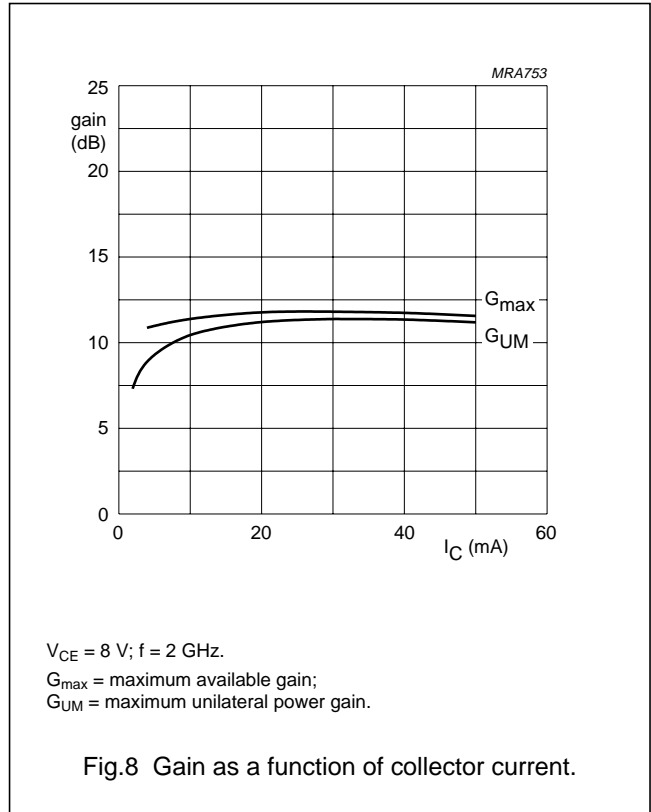
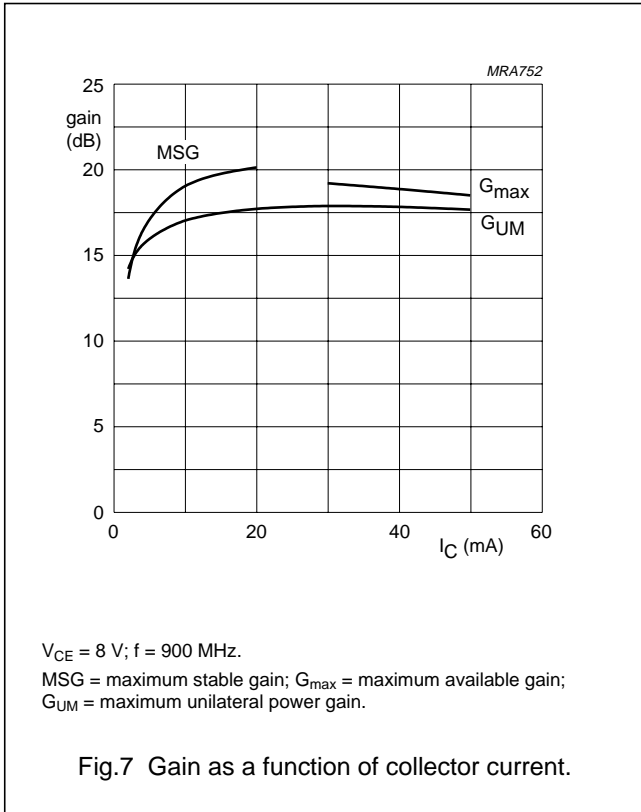
NPN 9 GHz wideband transistor

BFG540; BFG540/X;  
BFG540/XR



NPN 9 GHz wideband transistor

BFG540; BFG540/X;  
BFG540/XR



NPN 9 GHz wideband transistor

BFG540; BFG540/X;  
BFG540/XR

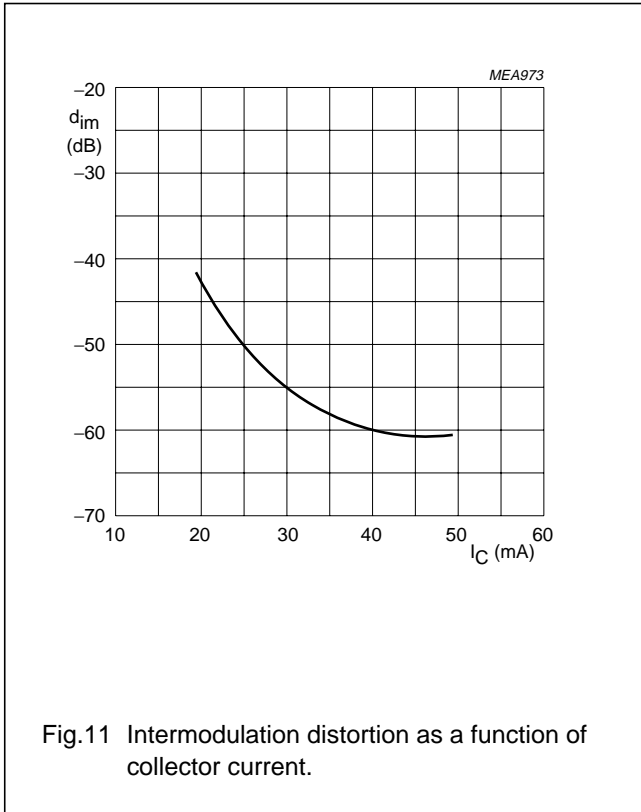


Fig.11 Intermodulation distortion as a function of collector current.

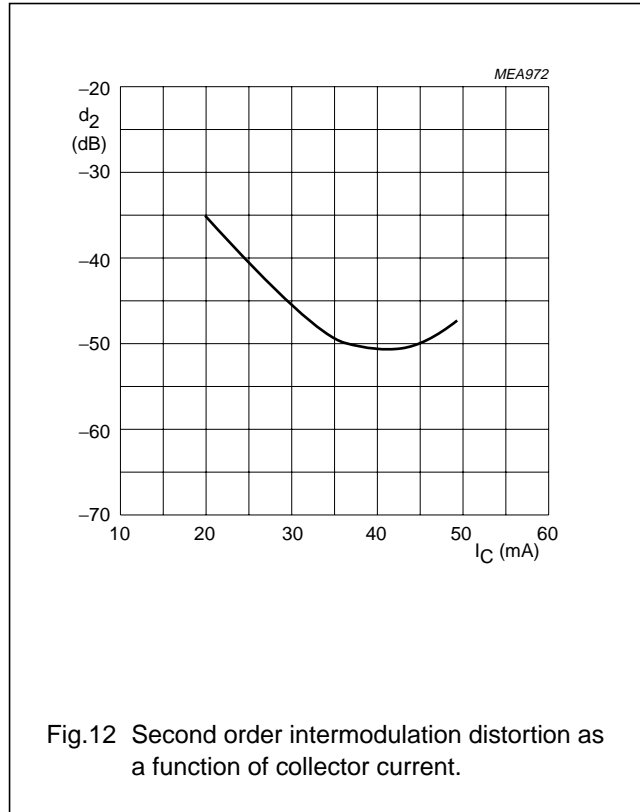
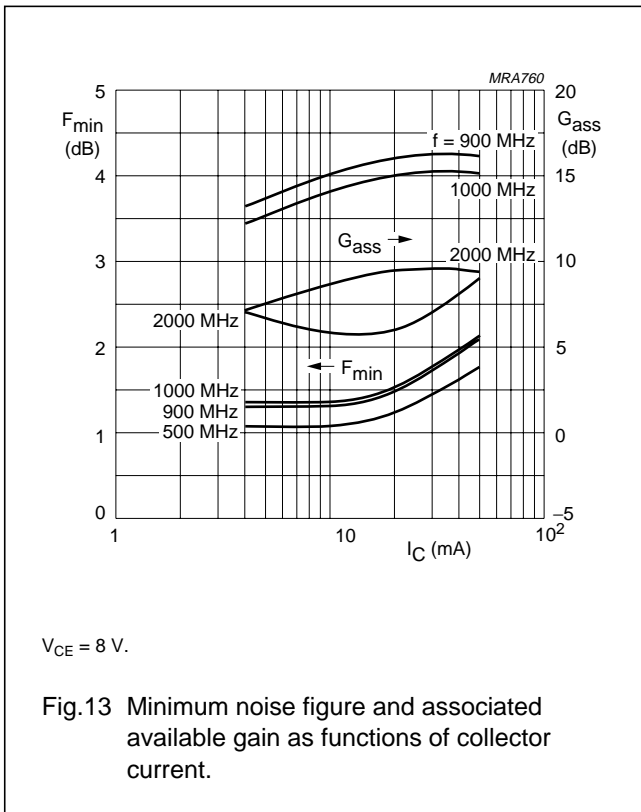
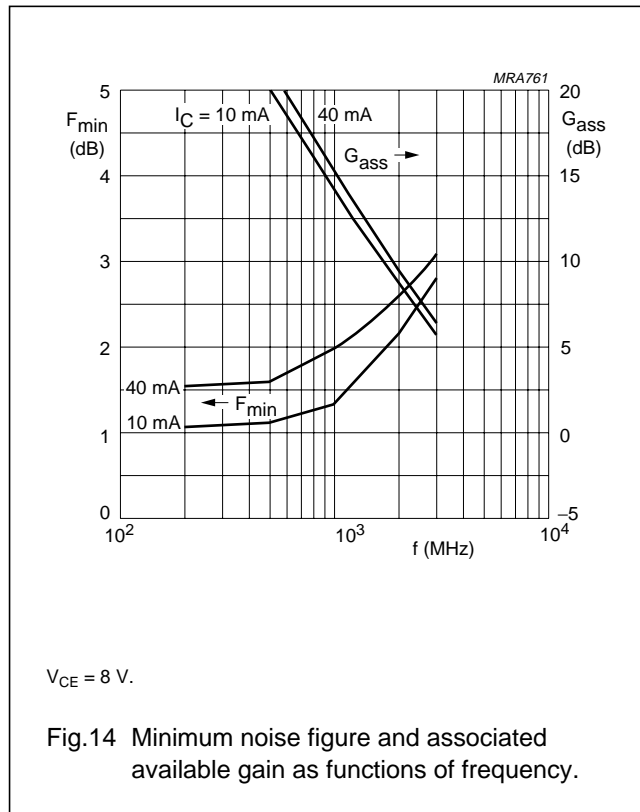


Fig.12 Second order intermodulation distortion as a function of collector current.



$V_{CE} = 8 V.$

Fig.13 Minimum noise figure and associated available gain as functions of collector current.

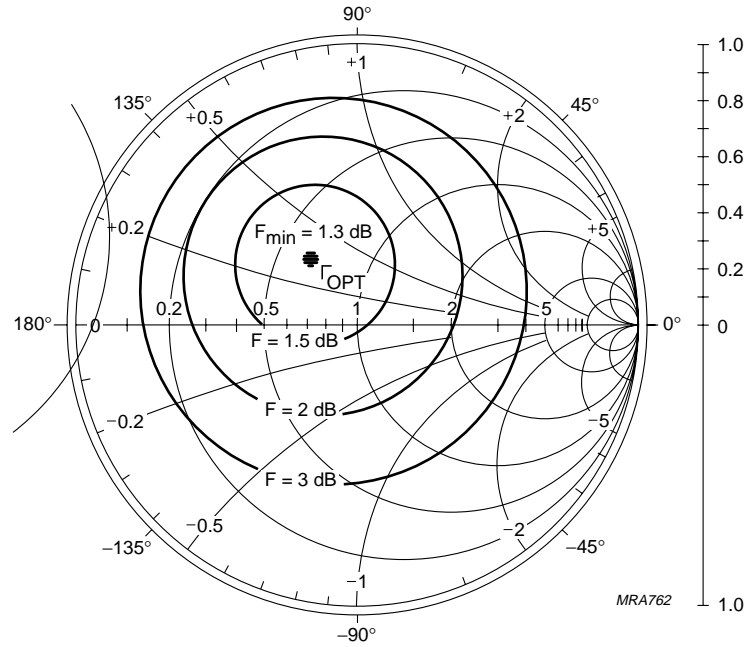


$V_{CE} = 8 V.$

Fig.14 Minimum noise figure and associated available gain as functions of frequency.

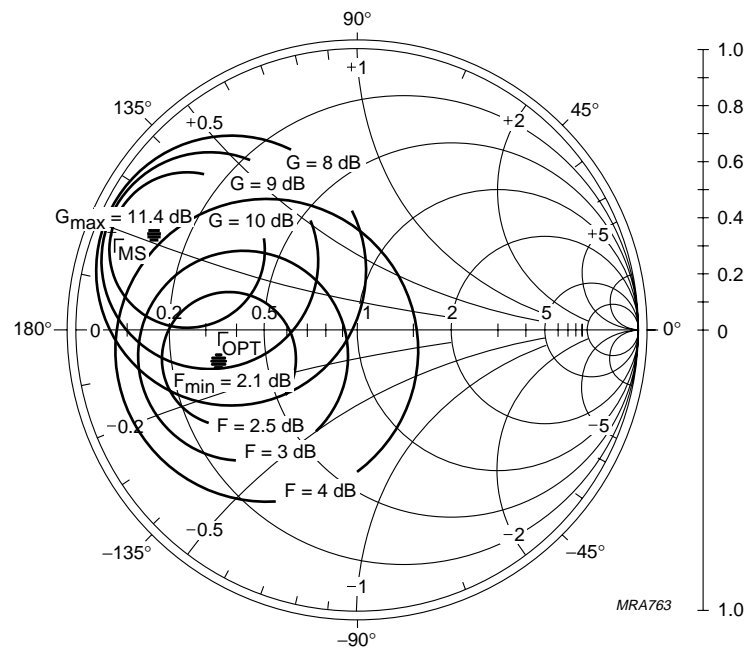
NPN 9 GHz wideband transistor

BFG540; BFG540/X;  
BFG540/XR



$I_C = 10 \text{ mA}$ ;  $V_{CE} = 8 \text{ V}$ ;  $Z_0 = 50 \Omega$ ;  $f = 900 \text{ MHz}$ .

Fig.15 Noise circle figure.



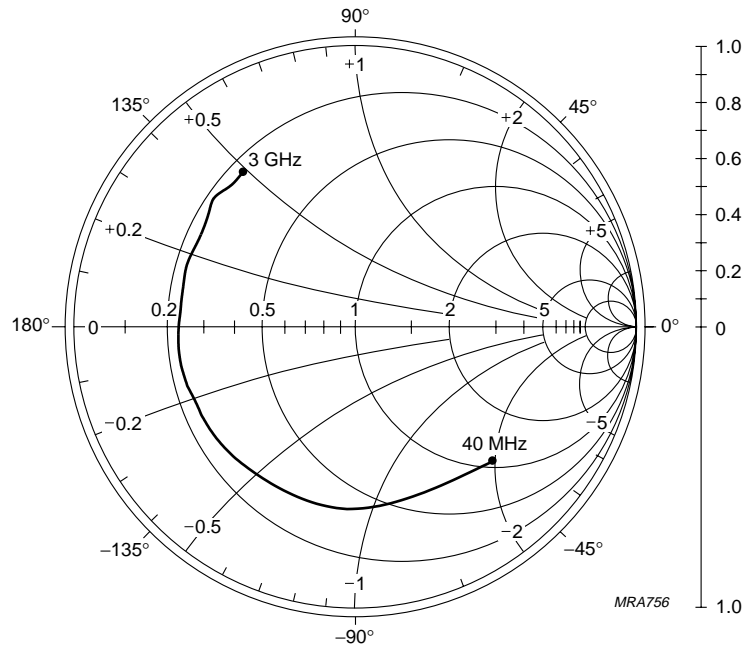
$I_C = 10 \text{ mA}$ ;  $V_{CE} = 8 \text{ V}$ ;  $Z_0 = 50 \Omega$ ;  $f = 2 \text{ GHz}$ .

Fig.16 Noise circle figure.



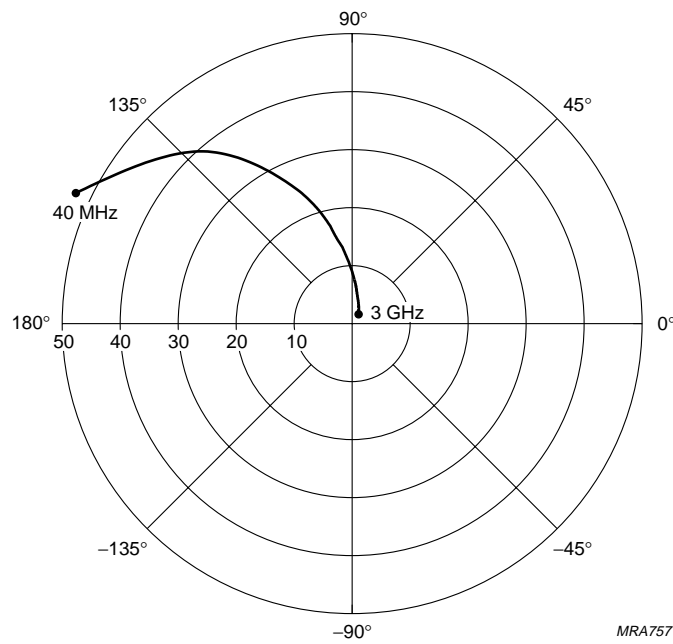
NPN 9 GHz wideband transistor

BFG540; BFG540/X;  
BFG540/XR



$I_C = 40 \text{ mA}$ ;  $V_{CE} = 8 \text{ V}$ ;  $Z_0 = 50 \Omega$ .

Fig.17 Common emitter input reflection coefficient ( $s_{11}$ ).

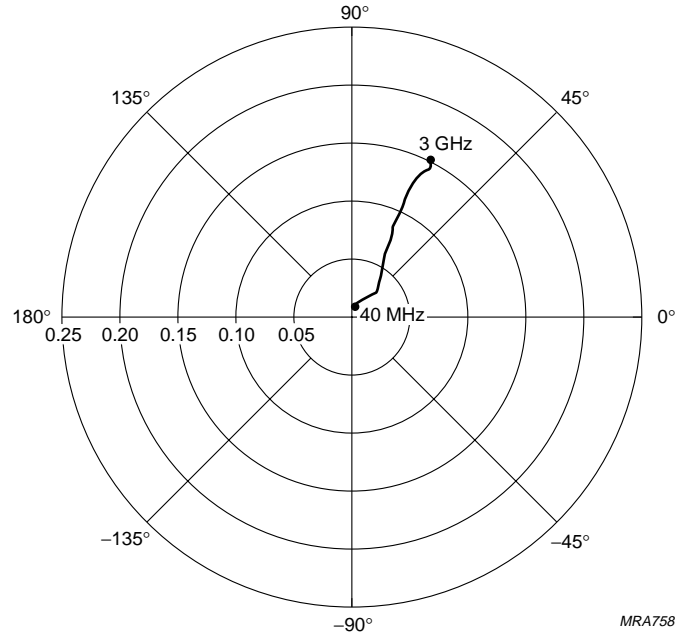


$I_C = 40 \text{ mA}$ ;  $V_{CE} = 8 \text{ V}$ .

Fig.18 Common emitter forward transmission coefficient ( $s_{21}$ ).

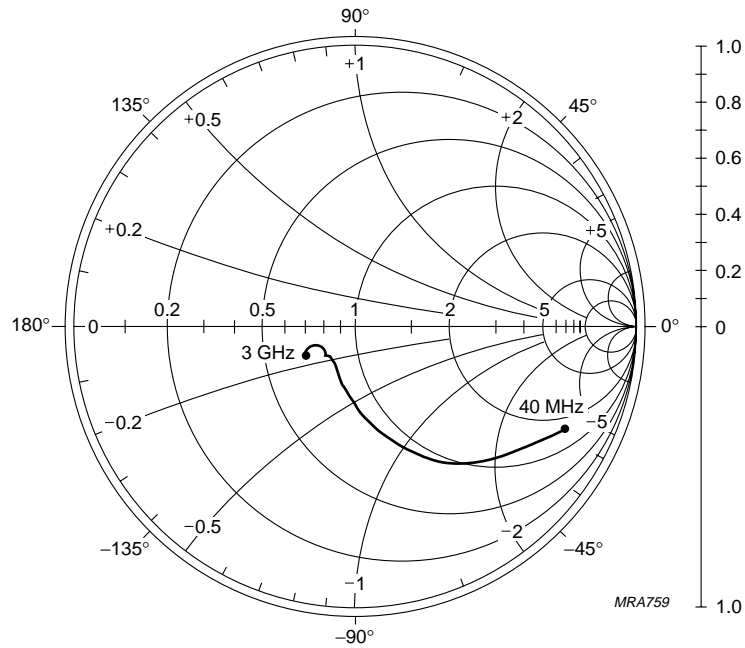
NPN 9 GHz wideband transistor

BFG540; BFG540/X;  
BFG540/XR



$I_C = 40 \text{ mA}; V_{CE} = 8 \text{ V}.$

Fig.19 Common emitter reverse transmission coefficient ( $s_{12}$ ).



$I_C = 40 \text{ mA}; V_{CE} = 8 \text{ V}; Z_0 = 50 \Omega.$

Fig.20 Common emitter output reflection coefficient ( $s_{22}$ ).

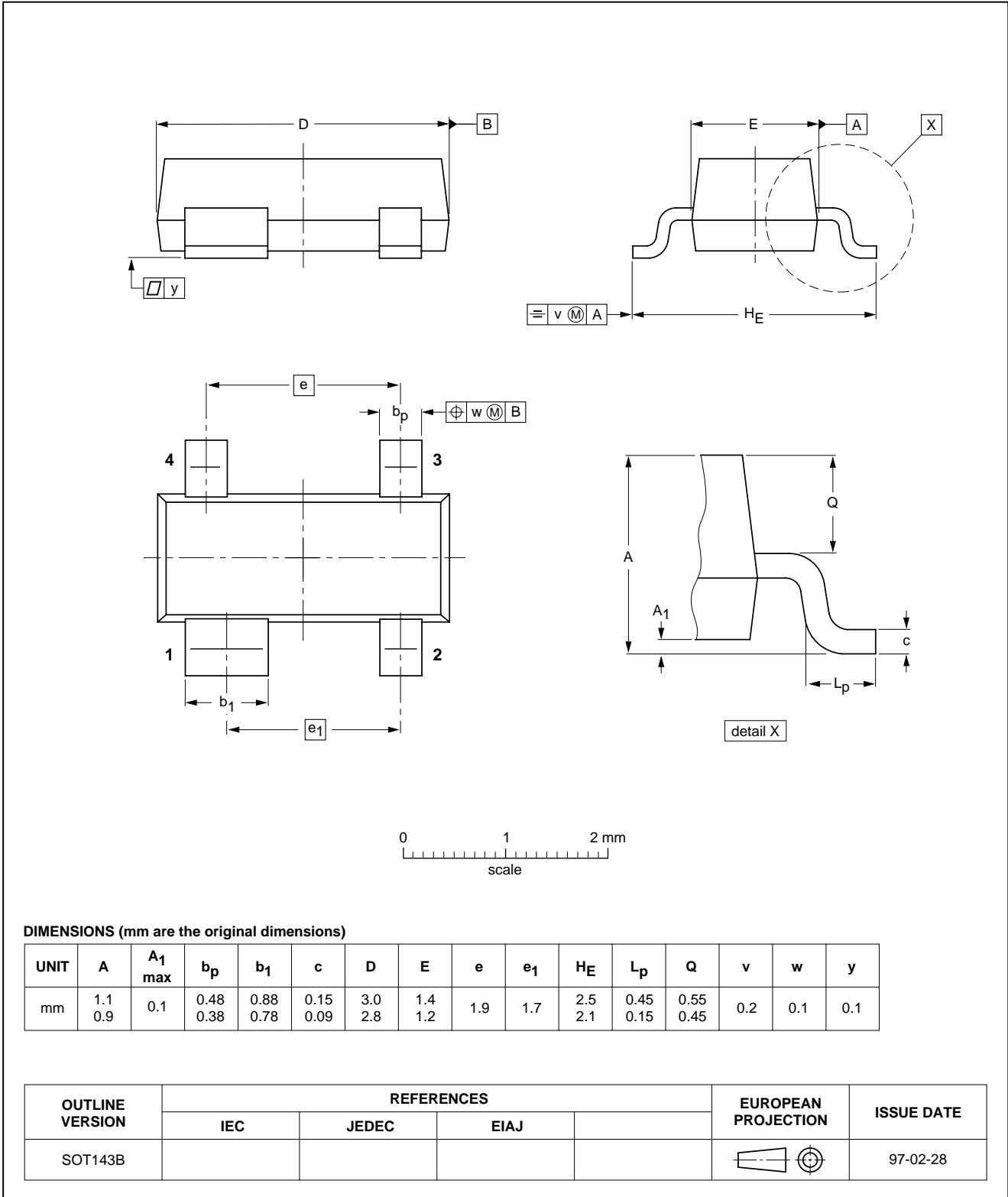
NPN 9 GHz wideband transistor

BFG540; BFG540/X;  
BFG540/XR

PACKAGE OUTLINES

Plastic surface mounted package; 4 leads

SOT143B

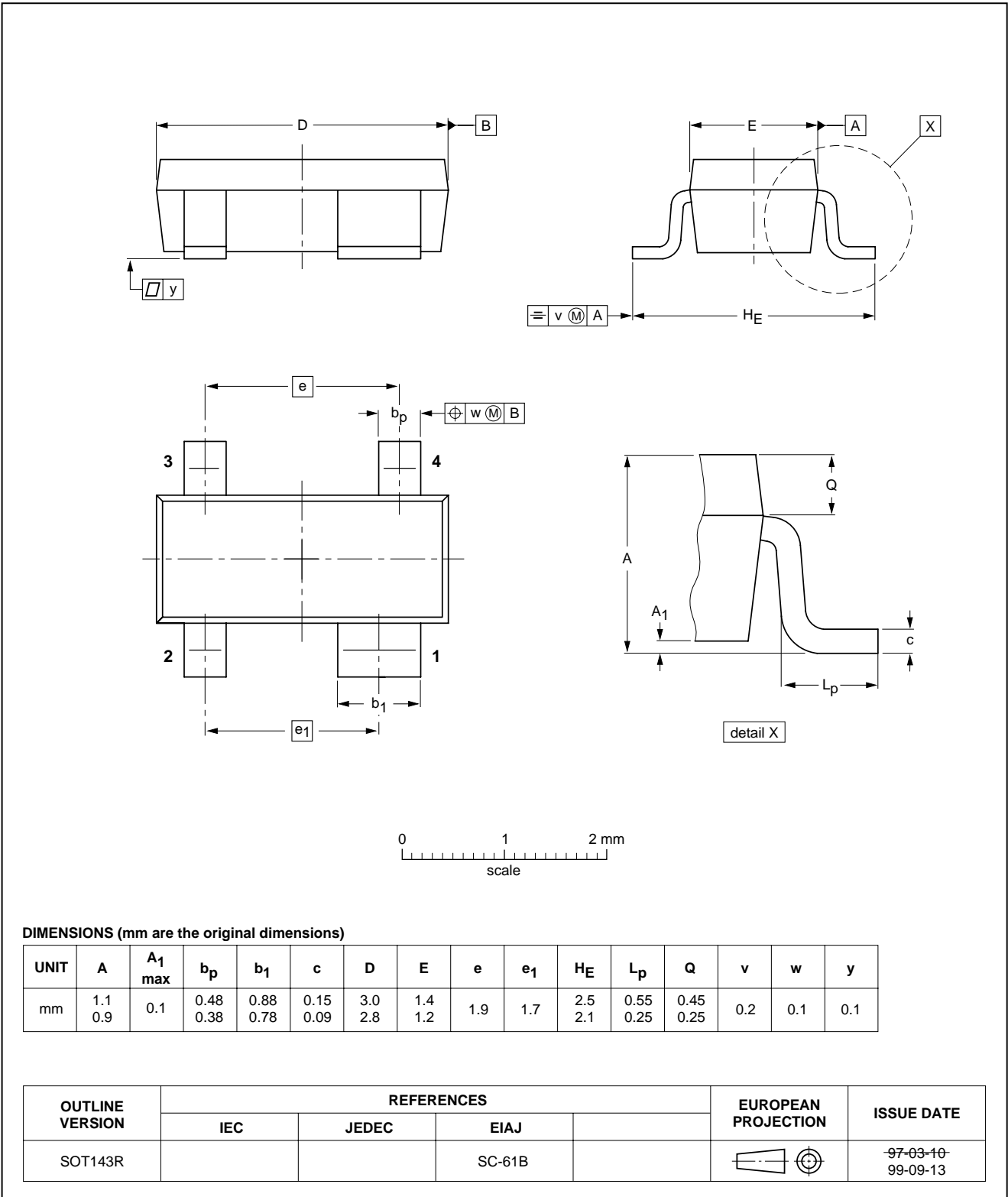


NPN 9 GHz wideband transistor

BFG540; BFG540/X;  
BFG540/XR

Plastic surface mounted package; reverse pinning; 4 leads

SOT143R



## Legal information

### Data sheet status

Document status <sup>[1][2]</sup>	Product status <sup>[3]</sup>	Definition
Objective [short] data sheet	Development	This document contains data from the objective specification for product development.
Preliminary [short] data sheet	Qualification	This document contains data from the preliminary specification.
Product [short] data sheet	Production	This document contains the product specification.

[1] Please consult the most recently issued document before initiating or completing a design.

[2] The term 'short data sheet' is explained in section "Definitions".

[3] The product status of device(s) described in this document may have changed since this document was published and may differ in case of multiple devices. The latest product status information is available on the Internet at URL <http://www.nxp.com>.

### Definitions

**Draft** — The document is a draft version only. The content is still under internal review and subject to formal approval, which may result in modifications or additions. NXP Semiconductors does not give any representations or warranties as to the accuracy or completeness of information included herein and shall have no liability for the consequences of use of such information.

**Short data sheet** — A short data sheet is an extract from a full data sheet with the same product type number(s) and title. A short data sheet is intended for quick reference only and should not be relied upon to contain detailed and full information. For detailed and full information see the relevant full data sheet, which is available on request via the local NXP Semiconductors sales office. In case of any inconsistency or conflict with the short data sheet, the full data sheet shall prevail.

### Disclaimers

**General** — Information in this document is believed to be accurate and reliable. However, NXP Semiconductors does not give any representations or warranties, expressed or implied, as to the accuracy or completeness of such information and shall have no liability for the consequences of use of such information.

**Right to make changes** — NXP Semiconductors reserves the right to make changes to information published in this document, including without limitation specifications and product descriptions, at any time and without notice. This document supersedes and replaces all information supplied prior to the publication hereof.

**Suitability for use** — NXP Semiconductors products are not designed, authorized or warranted to be suitable for use in medical, military, aircraft, space or life support equipment, nor in applications where failure or

malfunction of an NXP Semiconductors product can reasonably be expected to result in personal injury, death or severe property or environmental damage. NXP Semiconductors accepts no liability for inclusion and/or use of NXP Semiconductors products in such equipment or applications and therefore such inclusion and/or use is at the customer's own risk.

**Applications** — Applications that are described herein for any of these products are for illustrative purposes only. NXP Semiconductors makes no representation or warranty that such applications will be suitable for the specified use without further testing or modification.

**Limiting values** — Stress above one or more limiting values (as defined in the Absolute Maximum Ratings System of IEC 60134) may cause permanent damage to the device. Limiting values are stress ratings only and operation of the device at these or any other conditions above those given in the Characteristics sections of this document is not implied. Exposure to limiting values for extended periods may affect device reliability.

**Terms and conditions of sale** — NXP Semiconductors products are sold subject to the general terms and conditions of commercial sale, as published at <http://www.nxp.com/profile/terms>, including those pertaining to warranty, intellectual property rights infringement and limitation of liability, unless explicitly otherwise agreed to in writing by NXP Semiconductors. In case of any inconsistency or conflict between information in this document and such terms and conditions, the latter will prevail.

**No offer to sell or license** — Nothing in this document may be interpreted or construed as an offer to sell products that is open for acceptance or the grant, conveyance or implication of any license under any copyrights, patents or other industrial or intellectual property rights.

### Trademarks

Notice: All referenced brands, product names, service names and trademarks are the property of their respective owners.

## Contact information

For additional information, please visit: <http://www.nxp.com>

For sales office addresses, send an email to: [salesaddresses@nxp.com](mailto:salesaddresses@nxp.com)

## Revision history

### Revision history

Document ID	Release date	Data sheet status	Change notice	Supersedes
BFG540_X_XR_N_5	20071121	Product data sheet	-	BFG540_X_XR_4
Modifications:	<ul style="list-style-type: none"> <li>• Pinning table on page 2; changed code</li> </ul>			
BFG540_X_XR_4 (9397 750 07059)	20000523	Product specification	-	BFG540XR_3
BFG540XR_3 (9397 750 03144)	19950901	Product specification	-	BFG540XR_2
BFG540XR_2	-	Product specification	-	BFG540XR_1
BFG540XR_1	-	-	-	-

Please be aware that important notices concerning this document and the product(s) described herein, have been included in section 'Legal information'.



© NXP B.V. 2007.

All rights reserved.

For more information, please visit: <http://www.nxp.com>

For sales office addresses, please send an email to: [salesaddresses@nxp.com](mailto:salesaddresses@nxp.com)

Date of release: 21 November 2007

Document identifier: BFG540\_X\_XR\_N\_5