

Ceramic Singlelayer Feed-Through Capacitors 400V_{DC}

DESIGN:

Feed-through capacitor, threaded type

RATED VOLTAGE U_R:

400V_{DC} (175V_{RMS})

DIELECTRIC STRENGTH BETWEEN LEADS:

1250V_{DC} 1s

DISSIPATION FACTOR tan δ:

Ceramic Class 1: see General Information

Ceramic Class 2: $\leq 25 \cdot 10^{-3}$

INSULATION RESISTANCE R_{is}:

Ceramic Class 1: $\geq 1 \cdot 10^{10} \Omega$

Ceramic Class 2: $\geq 5 \cdot 10^9 \Omega$

CATEGORY TEMPERATURE RANGE ϑ_A :

Ceramic Class 1: (- 55 to + 125)°C

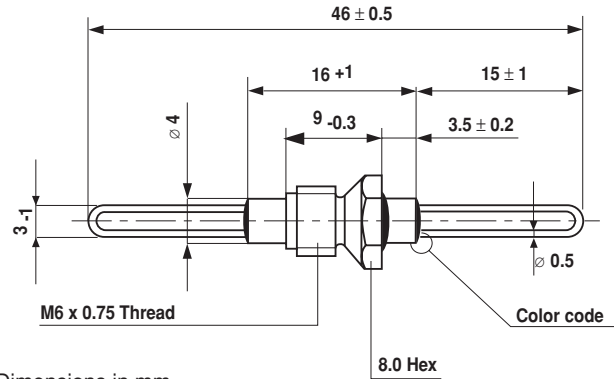
Ceramic Class 2: (- 25 to + 85)°C

CLIMATIC TESTING CLASS ACC. TO EN 60068-1:

40 / 085 / 21

PERMISSIBLE REACTIVE POWER:

8.8VAr (Class 2), 150VAr (Class 1B, 1F)



• Dimensions in mm

DIRECT CURRENT I_{DC}:

8A

MAXIMUM PERMISSIBLE TORQUE:

0.8 Nm (clearance hole mounting)

0.5 Nm (threaded hole mounting)

PERMISSIBLE POWER LOSS:

220mW

MARKING:

Capacitance value, Tolerance letter, Ceramic dielectric color code

MOUNTING HARDWARE:

A threaded nut (8.0 HEX) is supplied in bulk

CLASS	CERAMIC DIELECTRIC	CAPACITANCE VALUE (pF)	TOLERANCE
1B	P 100	25	± 20%
	N 150	50	
	N 750	250	
1F	N 1500	400	- 20 + 50%
2	R 700	500	
	R 2000	2500	
	R 4000	5000	

• other capacitance values are available on request