



GOAL OF TRAK IS TO PROVIDE THE BEST QUALITY PRODUCTS AT THE LOWEST COST.

BROADBAND COAXIAL Circulators

Frequency
Ranges
1-2 GHz →

MODEL NO.	ISOLA-TION (dB min.)	INSER-TION LOSS (dB max.)	VSWR (max.)	OPER. TEMP. (°C)	POWER RATING			OUTLINE
					PEAK POWER (KW)	AVG. POWER (Watts)	HEAT SINK Temp. (°C)	
50A1101*	15	0.6	1.40	0 to +50	0.2	100	+35	G ←
50A3001*	18	0.5	1.30	-10 to +70	0.6	125	+40	H-1
50A3401*	12	1.0	1.65	-10 to +60	0.5	75	+50	H-2
50A3011*	18	0.5	1.30	-25 to +80	1.0	125	+45	H-1
50A6301*	18	0.5	1.40	-45 to +85	1.0	125	+50	I
50A6001*	18	0.5	1.30	-45 to +95	2.0	125	+50	I
50A6071*	18	0.5	1.30	-55 to +95	0.5	125	+50	I
50A9201*	16	0.7	1.35	-55 to +95	0.5	75	+50	I
50A2601*	11	1.0	1.78	-40 to +80	0.5	50	+50	K-1
50A2701	14	1.0	1.50	-54 to +95	0.5	50	+50	K-1
50A2171	12	0.9	1.65	-40 to +65	0.5	65	+50	K-1
50A2301*	13	0.9	1.58	-54 to +95	0.5	65	+50	J
10B9201*	20	0.5	1.30	-55 to +95	0.1	65	+50	J
50A2001*	17	0.5	1.35	-40 to +95	0.5	65	+50	J
50A2501	17	0.5	1.35	-40 to +95	0.5	65	+50	K-1
50A2051*	14	0.6	1.50	-54 to +95	0.5	65	+50	J
50A2401	11	1.0	1.78	-40 to +80	0.5	50	+50	K-1
10B2201*	18	0.5	1.30	-55 to +110	2.0	50	+50	J
10A8021*	18	0.7	1.30	-54 to +95	0.5	65	+50	K-2
50A8101*	13	1.0	1.58	-54 to +95	0.5	50	+50	K-2

Isolators

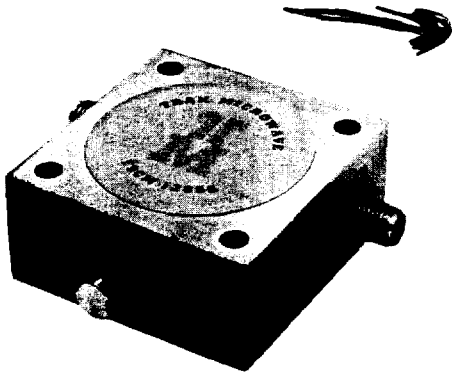
60A1101*	15	0.6	1.40	0 to +50	0.1	1.0	+50	G
60A3001*	18	0.5	1.30	-10 to +70	0.1	1.0	+70	H-1
60A3401*	12	1.0	1.65	-10 to +60	0.1	1.0	+60	H-1
60A3011*	18	0.5	1.30	-25 to +80	0.1	1.0	+80	H-1
60A6301*	18	0.5	1.40	-45 to +85	0.1	1.0	+85	I
60A6001*	18	0.5	1.30	-45 to +95	0.1	3.0	+95	I
60A6071*	18	0.5	1.30	-55 to +95	0.1	2.0	+95	I
60A9201*	16	0.7	1.35	-55 to +95	0.1	1.0	+95	I
60A2601*	12	1.0	1.67	-40 to +80	0.1	3.0	+80	K-1
60A2701*	14	1.0	1.50	-54 to +95	0.1	3.0	+95	K-1
60A2171	13	0.75	1.58	-40 to +65	0.5	3.0	+65	K-1
60A2301*	14	0.9	1.50	-54 to +95	0.5	3.0	+85	J
20B9201*	20	0.5	1.30	-55 to +95	0.1	3.0	+95	J
60A2001*	17	0.5	1.35	-40 to +95	0.5	3.0	+95	J
60A2501	17	0.5	1.35	-40 to +95	0.1	3.0	+95	K-1
60A2051*	14	0.6	1.50	-54 to +95	0.5	3.0	+95	J
60A2401*	12	1.0	1.67	-40 to +80	0.1	1.0	+80	K-1
20B2201*	18	0.5	1.30	-55 to +110	0.5	3.0	+110	J
20A8021*	18	0.7	1.30	-54 to +95	0.5	1.0	+95	K-2
60A8101*	14	1.0	1.50	-54 to +95	0.1	1.0	+95	K-2

NOTES:

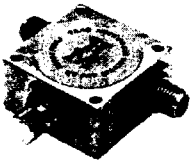
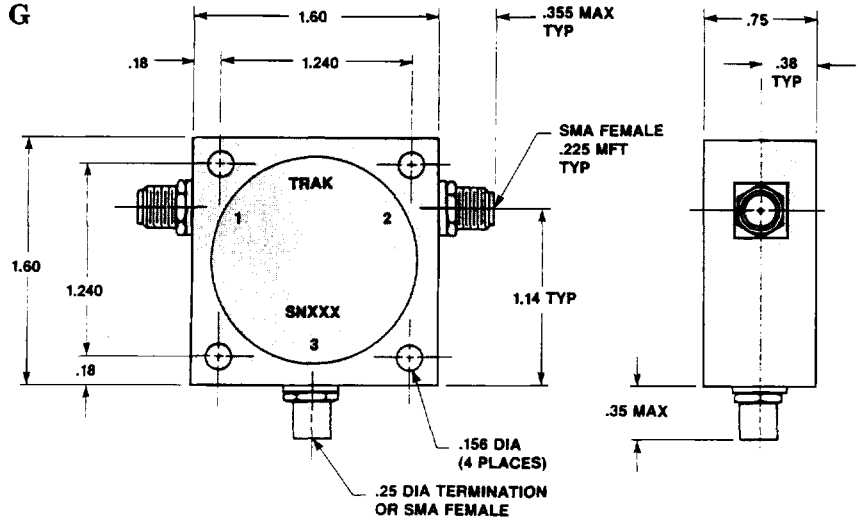
1. See typical performance curves on Page 125 for selected models.
 2. For Environmental Specifications, including temperature considerations, see Page 121.
- * These units are normally available from stock or from TRAK's distributors.

████████████████████
TRKMS00062

Specifications subject to change without notice

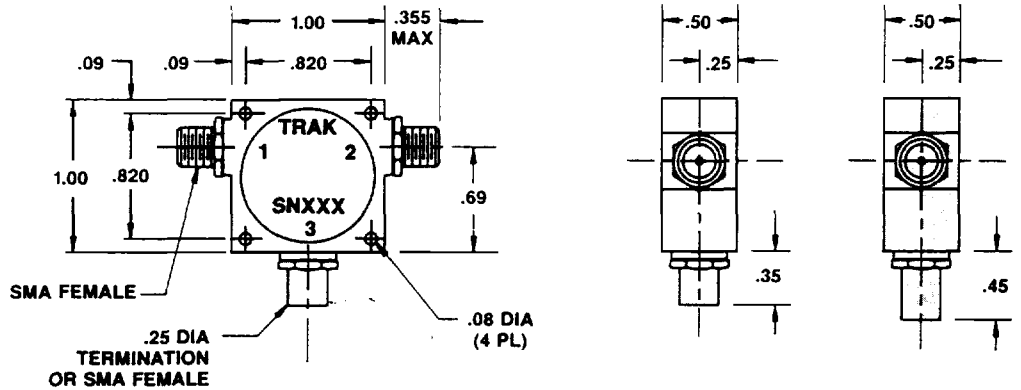


Weight: 6.3 oz., nominal
(180 grams)

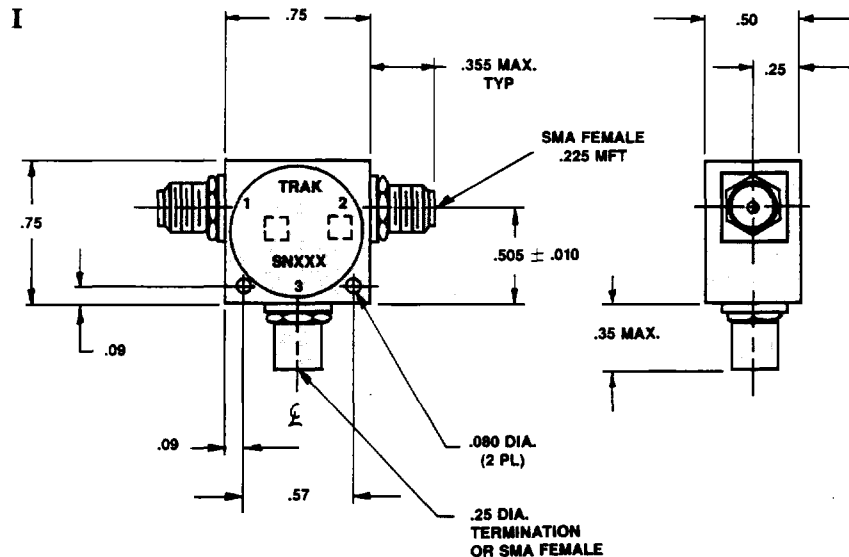


Weight: 1.8 oz., nominal
(51 grams)

H



Weight: 1.1 oz., nominal
(32 grams)



Housings 416 Stainless Steel with appropriate plating

Specifications subject to change without notice



SELECT-A-FREQUENCY Circulators

MODEL NO.	BAND-WIDTH (%)	ISOLA-TION (dB min.)	INSER-TION LOSS (dB max.)	VSWR (max.)	OPER. TEMP. (°C)	POWER RATING			OUTLINE
						PEAK POWER (KW)	AVG. POWER (Watts)	HEAT SINK Temp. (°C)	
10*0501	3	20	0.6	1.25	-20 to +71	1.0	200	+50	H
10*0601	5	20	0.5	1.25	-54 to +95	1.0	200	+50	H
10*1401	10	20	0.5	1.25	-54 to +95	1.0	200	+50	H
10*1501	10	20	0.5	1.25	-54 to +95	1.0	200	+50	H
10*1551	5	20	0.5	1.25	-54 to +95	1.0	110	+50	I
10*1601	10	20	0.5	1.25	-54 to +95	1.0	110	+50	I
10*3401	10	20	0.5	1.25	-54 to +95	0.1	50	+50	I
10*3501	10	20	0.5	1.25	-54 to +95	0.1	50	+50	I
10*3551	15	20	0.5	1.25	-54 to +95	0.1	50	+50	I
10*3601	5	20	0.5	1.25	-20 to +71	0.1	50	+50	J
10*6401	10	20	0.5	1.25	-54 to +95	0.2	50	+50	J
10*6501	10	20	0.5	1.25	-54 to +95	0.3	50	+50	J
10*6501	15	20	0.5	1.25	-54 to +95	0.4	50	+50	J
50*2001	15	20	0.5	1.25	-54 to +95	0.5	65	+50	J
10*2201	15	20	0.5	1.25	-54 to +95	0.5	65	+50	J

Isolators

20*0501	3	20	0.6	1.25	-20 to +71	0.1	1.0	+71	H
20*0601	5	20	0.5	1.25	-54 to +95	0.1	1.0	+95	H
20*1401	10	20	0.5	1.25	-54 to +95	0.1	1.0	+95	H
20*1501	10	20	0.5	1.25	-54 to +95	0.1	1.0	+95	H
20*1551	5	20	0.5	1.25	-54 to +95	0.1	1.0	+95	I
20*1601	10	20	0.5	1.25	-54 to +95	0.1	1.0	+95	I
20*3401	10	20	0.5	1.25	-54 to +95	0.1	1.0	+95	I
20*3501	10	20	0.5	1.25	-54 to +95	0.1	1.0	+95	I
20*3551	15	20	0.5	1.25	-54 to +95	0.1	1.0	+95	I
20*3601	5	20	0.5	1.25	-20 to +71	0.1	1.0	+71	J
20*6401	10	20	0.5	1.25	-54 to +95	0.1	1.0	+95	J
20*6501	10	20	0.5	1.25	-54 to +95	0.3	1.0	+95	J
20*6501	15	20	0.5	1.25	-54 to +95	0.4	1.0	+95	J
60*2001	15	20	0.5	1.25	-54 to +95	0.5	3.0	+95	J
20*2201	15	20	0.5	1.25	-54 to +95	0.5	3.0	+95	J

NOTES:

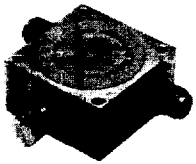
1. If your lower frequency limit is below the lower limit stated for a particular model, select the preceding model. If upper frequency limit will exceed 12 GHz, select the next higher frequency model.
2. For Environmental Specifications, including temperature considerations, see Page 121.
3. See Pages 136 and 138 for units normally available from stock.

* How to order Select-a-Frequency models:

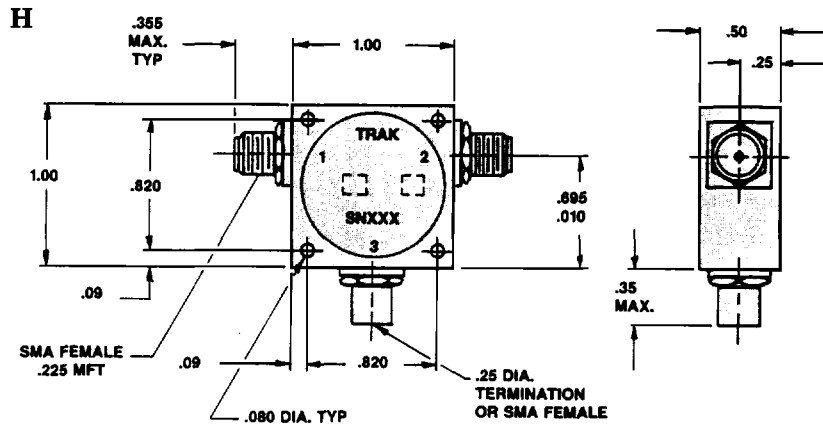
Specify model number and frequency range or center frequency. If your bandwidth is less than stated above you may obtain somewhat better performance and/or delivery by specifying your actual frequency range.

For models 10*6501 and 20*6501 also specify 10% or 15% bandwidth.

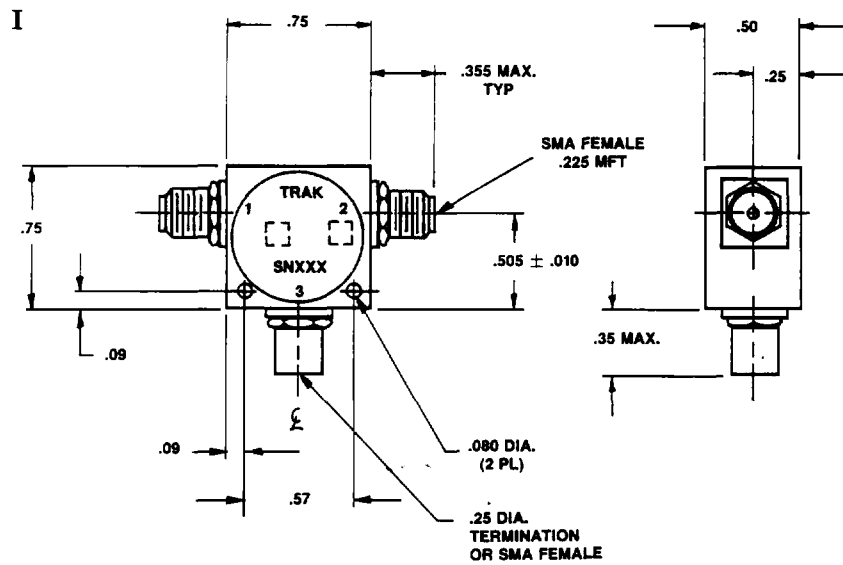
Specifications subject to change without notice



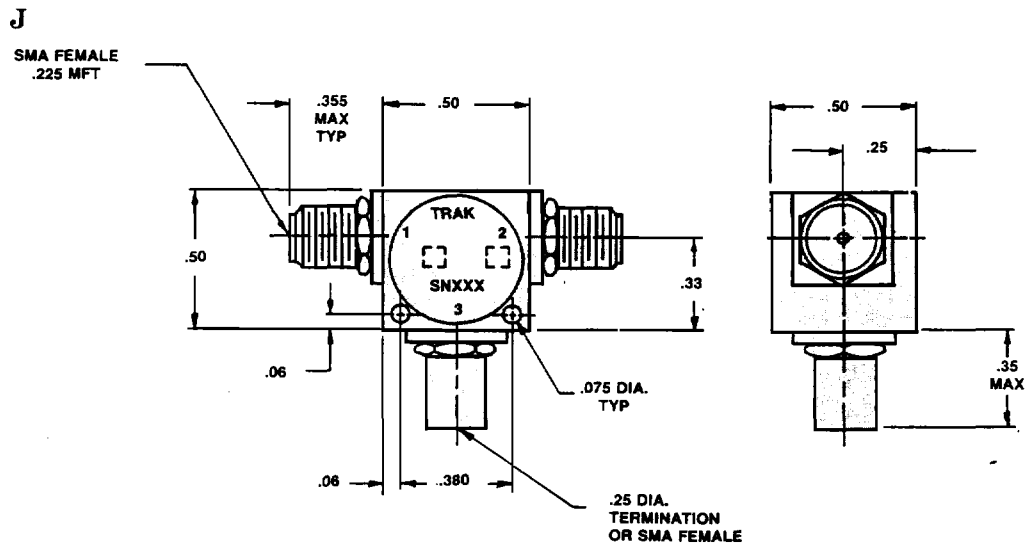
Weight: 1.8 oz., nominal
(51 grams)



Weight: 1.1 oz., nominal
(32 grams)



Weight: 0.7 oz., nominal
(20 grams)



Housings 416 Stainless Steel with appropriate plating

Specifications subject to change without notice