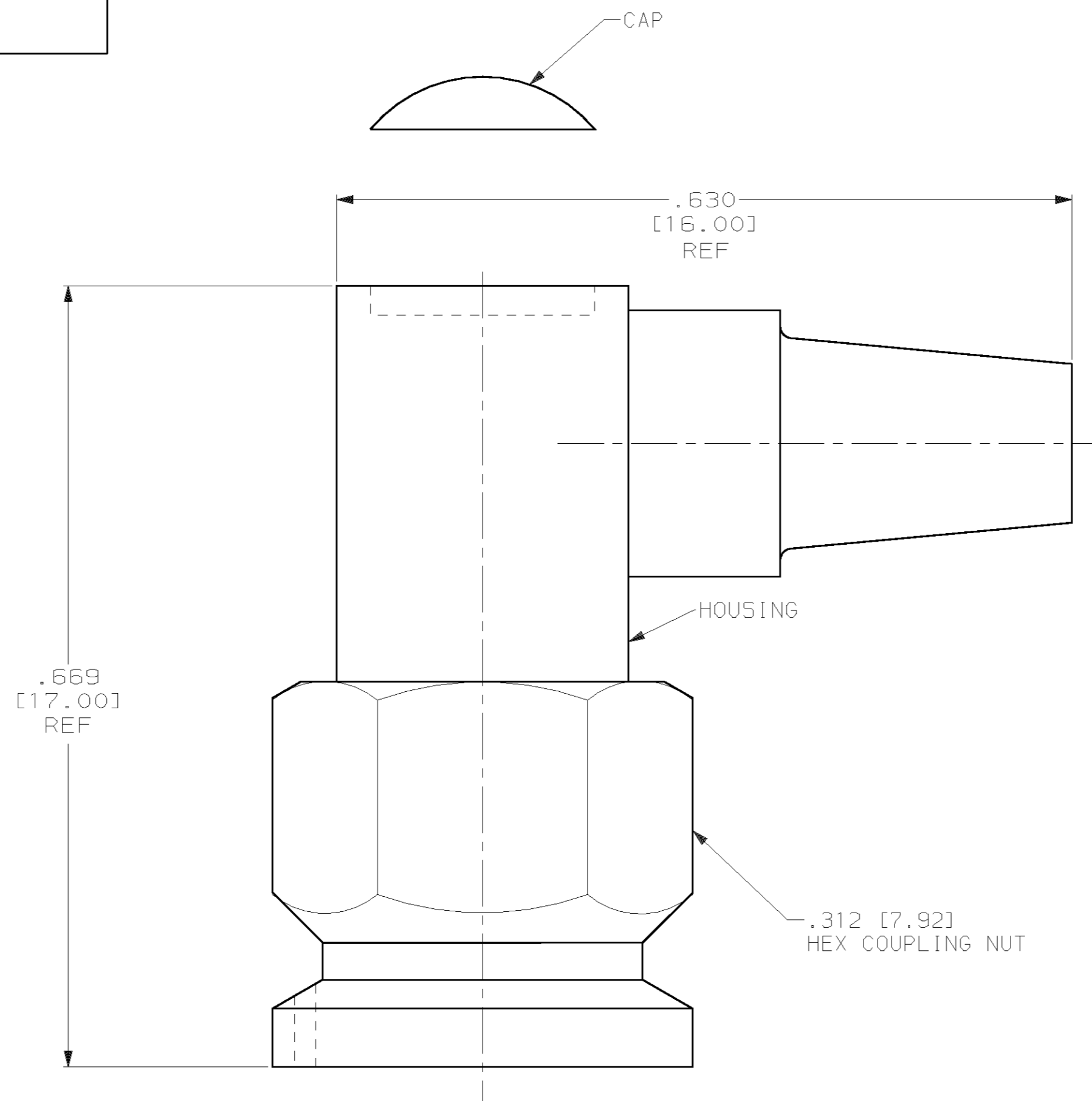


THIS DRAWING IS UNPUBLISHED. RELEASED FOR PUBLICATION
 (C) COPYRIGHT 19 BY AMP INCORPORATED. ALL RIGHTS RESERVED.

LOC	DIST	REVISIONS					
DF	XO	P	LTR	DESCRIPTION	DATE	DWN	APVD
		B		RELEASED	11-01	CT	JM

COMPONENT	MATERIAL	FINISH
HOUSING ASSY COUPLING NUT	STAINLESS STEEL PER ASTM-A-484 OR ASTM-A-582 TYPE 303	GOLD PLATED PER ASTM-B-488 OVER COPPER PER AMS-2410
DIELECTRIC	PTFE FLUORCARBON PER ASTM-D-1457	-
CENTER CONTACT	BRASS PER ASTM-B-16	GOLD PLATED PER ASTM-B-488 OVER NICKEL PER QQ-N-290
RETAINING RING	BERYLLIUM COPPER PER ASTM-B-194 ALLOY C17200, CONDITION H	-
GASKET	SILICONE RUBBER PER ZZ-R-765	-

1. CAPTURED CENTER CONTACT



1328196-1
PART NO.

THIS DRAWING IS A CONTROLLED DOCUMENT.		DWN C.C. THOMAS 11-9-01	tyco TYCO Electronics Corporation Harrisburg, PA 17105-3608	AMP
DIMENSIONS: INCHES [mm]		CHK J. MARKEY 11-9-01		
TOLERANCES UNLESS OTHERWISE SPECIFIED:		APVD J. MARKEY 11-9-01	NAME OSM RT ANGLE CABLE PLUG	
0 PLC ± 1 PLC ± 2 PLC ± 3 PLC ±.005 [0.13] 4 PLC ± ANGLES ±		PRODUCT SPEC -	SIZE A2	CAGE CODE 00779
MATERIAL SEE TABLE		FINISH SEE TABLE	DRAWING NO. 1328196	RESTRICTED TO -
		WEIGHT -	SCALE 10:1	SHEET 1 OF 1
		CUSTOMER DRAWING	REV B	