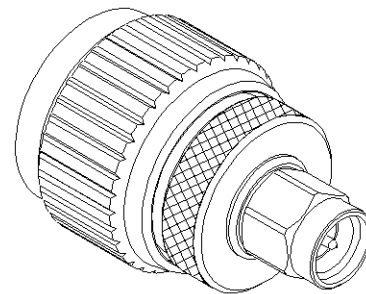
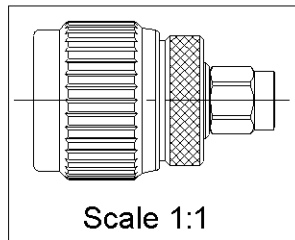
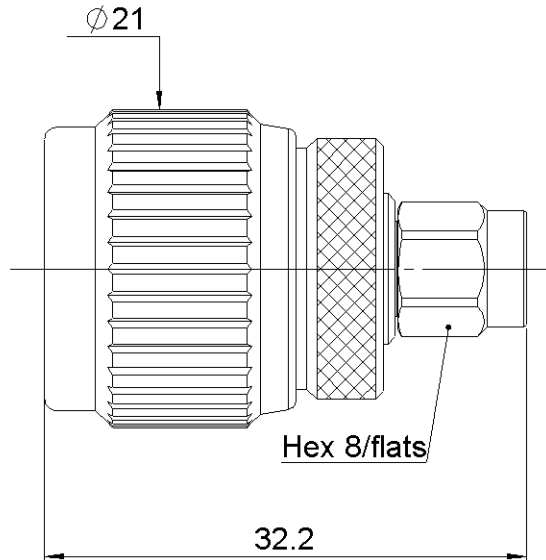
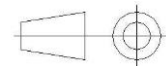


PAGE 1/2	ISSUE 07-12-16B	SERIES ADAPT	PART NUMBER R191325000
----------	-----------------	--------------	------------------------



All dimensions are in mm.



COMPONENTS	MATERIALS	PLATING (µm)
Body	<b>BRASS.</b>	<b>NICKEL .</b>
Center contact	<b>BRASS.</b>	<b>GOLD OVER NICKEL</b>
Outer contact	<b>BRASS.</b>	<b>NICKEL .</b>
Insulator	<b>PTFE</b>	
Gasket	<b>SILICONE RUBBER</b>	
Others parts	<b>BRASS.</b>	<b>NICKEL .</b>
Body SMA	<b>BERYLLIUM COPPER</b>	<b>NICKEL.</b>
-	-	-

PAGE <b>2/2</b>	ISSUE <b>07-12-16B</b>	SERIES <b>ADAPT</b>	PART NUMBER <b>R191325000</b>
-----------------	------------------------	---------------------	-------------------------------

**PACKAGING**

Standard	Unit	Other
<b>1</b>	<b>-</b>	<b>Contact us</b>

**ELECTRICAL CHARACTERISTICS**

Impedance		<b>50</b>		Ω
Frequency		<b>0-11</b>		GHz
VSWR	<b>1.20</b>	<b>+</b>	<b>0,0000</b>	x F(GHz) Maxi
Insertion loss			<b>0.06</b>	√F(GHz) dB Maxi
RF leakage		<b>- (</b>	<b>80</b>	- F(GHz) dB Maxi
Voltage rating			<b>500</b>	Veff Maxi
Dielectric withstanding voltage			<b>1500</b>	Veff mini
Insulation resistance			<b>5000</b>	MΩ mini

**MECHANICAL CHARACTERISTICS**

Center contact retention				
Axial force – Mating End			<b>*18</b>	N mini
Axial force – Opposite end			<b>*18</b>	N mini
Torque			<b>NA</b>	N.cm mini
Recommended torque				
Mating	<b>N</b>		<b>0</b>	N.cm
	<b>SMA</b>		<b>100</b>	N.cm
	<b>-</b>		<b>0</b>	N.cm
Panel nut			<b>NA</b>	N.cm
Mating life			<b>500</b>	Cycles mini
Weight			<b>35,2600</b>	g

**ENVIRONMENTAL**

Operating	<b>-55/+155</b>	°C
Hermetic seal	<b>NA</b>	Atm.cm3/s
Panel leakage	<b>NA</b>	

**SPECIFICATION**

**OTHER CHARACTERISTICS**

\* out of SMA CDC.