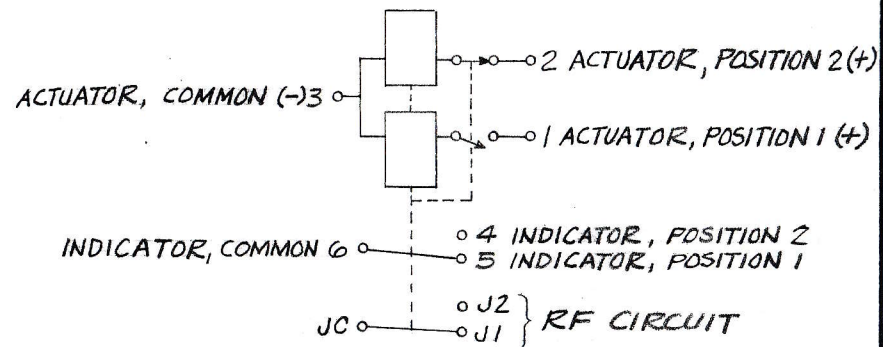
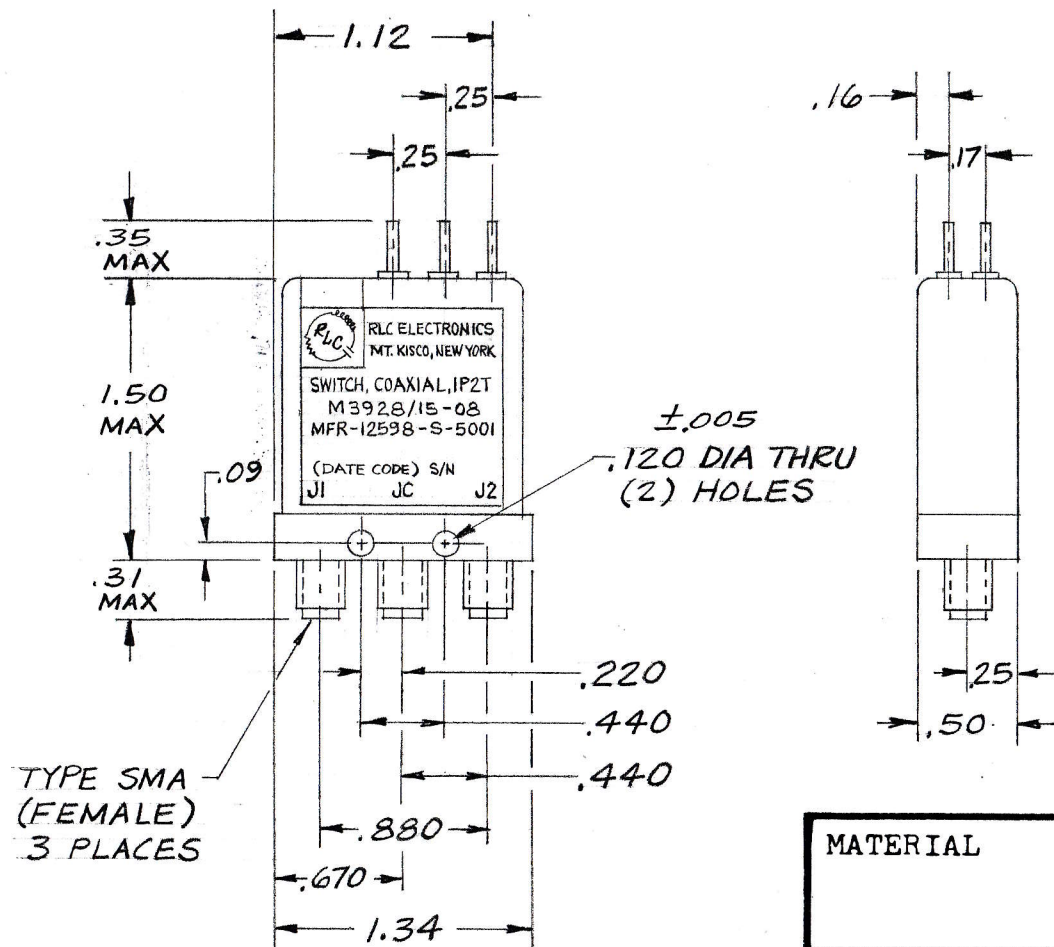
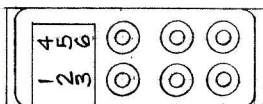


DO NOT SCALE DRAWING  
UNLESS OTHERWISE SPECIFIED:  
REMOVE ALL BURRS & SHARP EDGES .005 MAX  
FINISH TO BE 63 MICROINCH OR BETTER

A	32801		
REV	DESCRIPTION	DT	BY



POSITION 1. ENERGIZE TERMINAL 1, JC CONNECTS TO J1, J2 IS OPEN CIRCUIT.  
POSITION 2. ENERGIZE TERMINAL 2, JC CONNECTS TO J2, J1 IS OPEN CIRCUIT.  
SCHEMATIC (SHOWN IN POSITION 1)

MATERIAL	S-5001 SWITCH OUTLINE		
FINISH	TOLERANCES UNLESS OTHERWISE SPECIFIED FRACTIONS $\pm 1/64$ ANGLES $\pm 1/2^\circ$	B/M 3905	SOF
	XX $\pm .030$ XXX $\pm .010$	DWN <i>[Signature]</i> 4/13/92 CHKD <i>[Signature]</i> 4/15/92	
R L C ELECTRONICS 83 RADIO CIRCLE, MT. KISCO, NEW YORK 10549		APPD	A 32801