



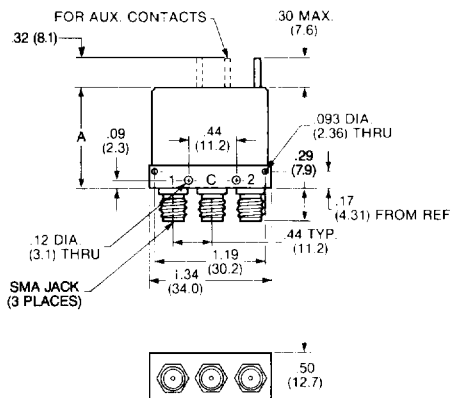
Miniature SPDT Electromechanical Switches

7530 Series

These miniature coaxial switches feature an outstanding combination of high RF performance and proven reliability in a very small package. Accurately positioned rigid contacts provide excellent repeatability and a uniform impedance match over the DC to 18.0 or 26.5 GHz frequency range.

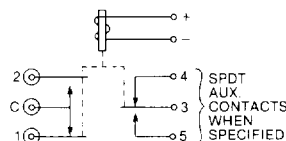
FEATURES:

- Life: > 1,000,000 Cycles
- Weight: 1.4 oz. Nom.
- Construction: Aluminum Body and Housing
- Finish: Chemical Film per MIL-C-5541
- RF Connectors: (SMA) Jack per MIL-C-39012
Passivated Stainless Steel
- Switching Time: 15 ms Typ. (20 ms Max.)
- Switching Action: Break-Before-Make
- Actuating Voltage: 20-30 Vdc, 28 Vdc Nom.
- Actuating Current: 104 mA @ 28 Vdc and 20° C (Failsafe)
80 mA @ 28 Vdc and 20° C (Latching)
- Coil Resistance: 270 Ohms ±10% @ 20° (Failsafe)
350 Ohms ± 10% @ 20° (Latching)



Metric equivalents are given in parentheses for general information.

FAILSAFE SCHEMATIC DEENERGIZED



PART NUMBER	FREQUENCY (GHz)	ACTUATION	AUX. CONTACTS	DIM. A INCHES (MM)
7530-6412-00	DC-18.0	FAILSAFE	No	1.12 (28.4)
7530-6412-10		FAILSAFE	Yes	1.25 (31.5)
7530-6414-00		LATCHING	No	1.70 (43.2)
7530-6414-10		LATCHING	Yes	1.70 (43.2)
7530-6422-00	DC-26.5	FAILSAFE	No	1.12 (28.4)
7530-6422-10		FAILSAFE	Yes	1.25 (31.5)
7530-6424-00		LATCHING	No	1.70 (43.2)
7530-6424-10		LATCHING	Yes	1.70 (43.2)

SPECIFICATIONS:

FREQUENCY RANGE (GHz)	DC TO 4.0	4.0 TO 8.0	8.0 TO 12.4	12.4 TO 18.0	18.0 TO 26.5
VSWR (MAX.)	1.10:1	1.15:1	1.20:1	1.40:1	1.50:1
ISOLATION (NOM. dB)	80	80	70	70	55
INSERTION LOSS (MAX., dB)	0.15	0.30	0.40	0.50	0.60
CW POWER (MAX., WATTS)	60	50	35	25	20

OPTIONS: (Contact Factory)

- Manual Actuation
- Special Finish or Marking
- Special Coil Voltages
- Arc Suppression Diodes
- Differential Drive Input (RS 422)
- Environmental & Hermetic Sealing
- Multi-Pin Power Connectors
- Alternate Solder Terminals/ Locations
- Alternate Mounting Configurations
- Self De-energizing Circuits
- Special High Reliability (Temp., Alt., Pres., Life)
- TTL Drivers

Specifications Subject to Change Without Notice.