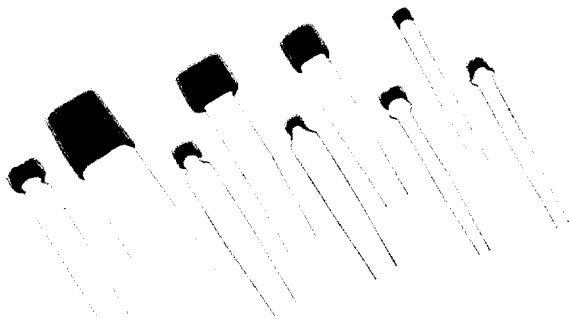


LEADED CAPACITORS, NETWORKS & HV CAPACITORS
 MONOLITHIC LEADED CAPACITORS
 CERAMIC RADIAL LEADED CAPACITORS



RPE 110/113/114/117/121/
 122/123/131/132 Series



FEATURES

- Wide capacitance, T.C., voltage and tolerance range
- Industry standard sizes
- Tape and reel available for auto insertion
- Various lead spacing available
- Marking standard or to customer specification
- Epoxy coating meets UL94V-0

PART NUMBERING SYSTEM

	RPE 132	XXX	X7R	103	K	050V	A
CAPACITOR TYPE AND SIZE	Used only for taped product and other lead variations. Please contact the factory for more information.	TEMPERATURE CHARACTERISTICS COG = 0 ±30ppm (Note 1) X7R = ±15% Z5U = +22, -56% Y5V = +22, -82% P2H = N150 ± 60ppm R2H = N220 ± 60ppm S2H = N330 ± 60ppm T2H = N470 ± 60ppm U2J = N750 ± 120ppm	CAPACITANCE VALUE Expressed in picofarads and identified by a three-digit number. First two digits represent significant figures. Last digit specifies the number of zeros to follow. For the fractional values below 10pF, the letter "R" is used as the decimal point and the last digit becomes significant.	CAPACITANCE TOLERANCE COG: 5pF or less C = ±.25pF >5pF ≤ 10pF D = ±.5pF >10pF J = ±5% X7R: K = ±10% Z5U: M = ±20% Y5V: Z = +80, -20%	VOLTAGE Identified by a three digit number. 50 and 100V standard (200V on special request)	AMMO PACK* (Does not include 110 & 117 series)	

NOTE: T.C. Tolerance

Capacitance (pF)	T.C. Tolerance (ppm)
10 and over	± 30 (G)
4.0-9.9	± 60 (H)
2.1-3.9	±120 (J)
.4-2.0	±250 (K)

Refer to EIA RS-198 for limitations.

* Ammo pack is the standard for taped parts. Reel packing is optional.

MARKINGS

<p>RPE 110, 131, 132 (Front)</p>	<p>RPE 110, 131, 132 (Back)</p>	<p>RPE 121, 122, 123</p>	<p>RPE 113, 114, 117</p>
<p>Voltage Code 2 = 25V, 5 = 50V 1 = 100V, 6 = 200V</p>	<p>RPE 110, 131, 132: Cap. and Tol. only for X7R, Z5U and Y5V materials.</p>		<p>Temp. Char. Code A = COG, P = P2H, R = R2H, S = S2H, T = T2H, U = U2J, C = X7R, E = Z5U, F = Y5V</p>

Both sides marked for temperature compensating RPE 110, 131 and 132 capacitors

Note: High Reliability RPE Capacitors available. See page 136.

LEADED CAPACITORS, NETWORKS & HV CAPACITORS
 MONOLITHIC LEADED CAPACITORS
 CERAMIC LEADED CAPACITORS - COG TYPE RPE 110/131/132/121/122 Series



DIMENSIONS: mm									
	Note: Lead length is measured from the bottom of the capacitor.								
MURATA DESIGNATION	★RPE 110 †			★RPE 131/RPE 132			★RPE 121/RPE 122*		
L (max.)	3.5			5.1			5.1		
H (max.)	3.1			5.1			6.4		
T (max.)	2.5			3.2			3.2		
L.S.	2.5			2.5/5.1			2.5/5.1		
WVDC	50	100	200	50	100	200	50	100	200
CAPACITANCE									
(pF) 1.0	1	1	1	1	1	1	1	1	1
10									
100									
1000	2200	820	120	5600	2200	390	N/A	2400	430
(μF) .01								3900	1000

LEADED CAPACITORS, NETWORKS, AND HV CAPACITORS

*EIA values available as standard through authorized Murata Electronics Distributors.

*Non-preferred, use RPE 131/132.

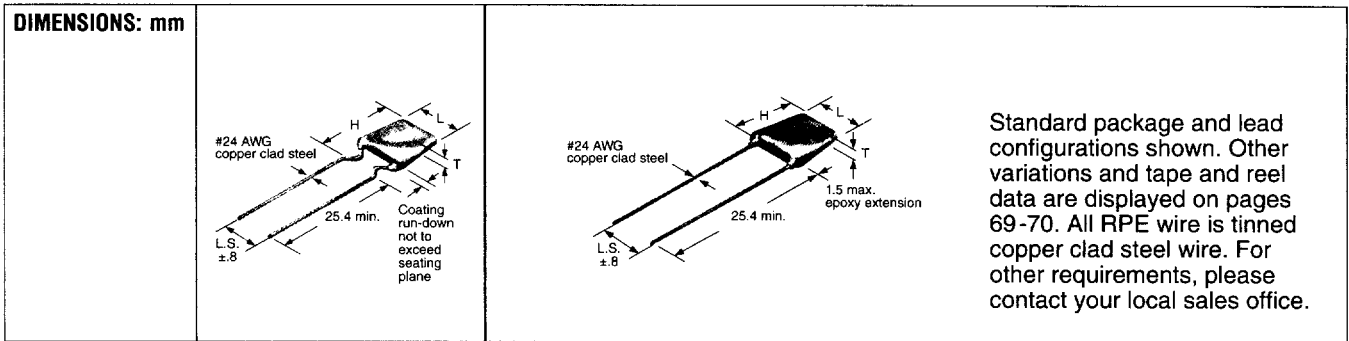
† Bulk only.

Note: Capacitance values = EIA 24 Step = 10, 11, 12, 13, 15, 16, 18, 20, 22, 24, 27, 30, 33, 36, 39, 43, 47, 51, 56, 62, 68, 75, 82, 91
 For values under 1.0pF, contact your local Murata Electronics Sales Office.

LEADED CAPACITORS, NETWORKS & HV CAPACITORS

MONOLITHIC LEADED CAPACITORS

CERAMIC LEADED CAPACITORS - COG TYPE RPE 123/113/114/117 Series



MURATA DESIGNATION	★RPE 123			★RPE 113			★RPE 114			★RPE 117†		
	L (max.)	H (max.)	T (max.)	L.S.	WVDC	CAPACITANCE						
L (max.)	7.6	7.6	10.2	12.7								
H (max.)	7.0	7.6	10.2	12.7								
T (max.)	3.2	4.0	4.0	5.1								
L.S.	5.1	5.1	5.1	10.2								
WVDC	50	100	200	50	100	200	50	100	200	50	100	200
CAPACITANCE												
(pF) 1.0												
10												
100												
1000			1100			1600			4300			
	5600	4700	1500		3900							
		6800			7500							
(μF) .01				.016			.020	.013	.010			.011
	.015			.018	.012		.039	.033		.043	.036	.030
										.068	.056	

*EIA values available as standard through authorized Murata Electronics Distributors.
 † Bulk only.
Note: Capacitance values = EIA 24 Step = 10, 11, 12, 13, 15, 16, 18, 20, 22, 24, 27, 30, 33, 36, 39, 43, 47, 51, 56, 62, 68, 75, 82, 91
 For values under 1.0pF, contact your local Murata Electronics Sales Office.

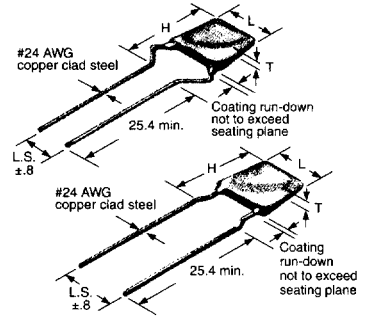
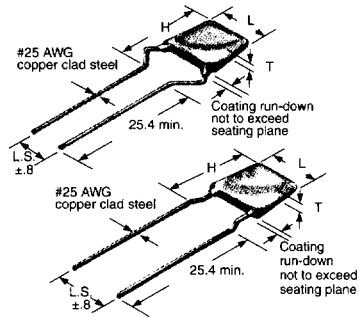
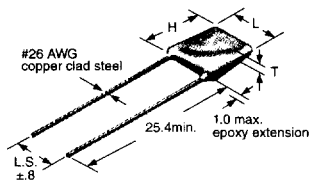
LEADED CAPACITORS, NETWORKS & HV CAPACITORS
 MONOLITHIC LEADED CAPACITORS
 CERAMIC LEADED CAPACITORS - X7R TYPE



RPE 110/131/132/121/122 Series

LEADED CAPACITORS
NETWORKS, AND
HV CAPACITORS

DIMENSIONS: mm



MURATA DESIGNATION	*RPE 110†			*RPE 131/RPE 132			*RPE 121/RPE 122*		
L (max.)	3.5			5.1			5.1		
H (max.)	3.1			5.1			6.4		
T (max.)	2.5			3.2			3.2		
L.S.	2.5			2.5/5.1			2.5/5.1		
WVDC	50	100	200	50	100	200	50	100	200
CAPACITANCE									
(pF) 100	220	220	220	220	220	220			
(μF) .01		.010	4700		.033	.01		.036	.012
.1	.1			.22			.22	.1	
1.0							1.0		
									.047

*EIA values available as standard through authorized Murata Electronics Distributors.

*Non-preferred, use RPE 131/132.

*EIA values available as standard through authorized Murata Electronics Distributors.

† Bulk only.

Note: Capacitance values = EIA 12 Step = 10, 12, 15, 18, 22, 27, 33, 39, 47, 56, 68, 82

LEADED CAPACITORS, NETWORKS & HV CAPACITORS
 MONOLITHIC LEADED CAPACITORS
 CERAMIC LEADED CAPACITORS - X7R TYPE



RPE 123/113/114/117 Series

DIMENSIONS: mm													
MURATA DESIGNATION	★RPE 123			★RPE 113			★RPE 114			★RPE 117†			
L (max.)	7.6			7.6			10.2			12.7			
H (max.)	7.0			7.6			10.2			12.7			
T (max.)	3.2			4.0			4.0			5.1			
L.S.	5.1			5.1			5.1			10.2			
WVDC	50	100	200	50	100	200	50	100	200	50	100	200	
CAPACITANCE													
(pF) 100													
1000													
(μF) .01													
.1	.NA	.12	.056 .082	.NA	.18	.1							
		.15			.47	.18			.56	.22			
1.0							1.2	1.0			1.2	.68	
							1.8			2.2	2.2	1.8	
										3.3			

Standard package and lead configurations shown. Other variations and tape and reel data are displayed on pages 69-70. All RPE wire is tinned copper clad steel wire. For other requirements, please contact your local sales office.

For requirements not shown, please contact your local Murata Electronics Sales Office.
 *EIA values available as standard through authorized Murata Electronics Distributors.
 † Bulk only.
 Note: Capacitance values = EIA 12 Step = 10, 12, 15, 18, 22, 27, 33, 39, 47, 56, 68, 82

LEADED CAPACITORS, NETWORKS & HV CAPACITORS
 MONOLITHIC LEADED CAPACITORS
 Z5U TYPE



RPE 110/131/132/121/122 Series

DIMENSIONS: mm									
	*RPE 110†			*RPE 131/RPE 132			*RPE 121/RPE 122*		
MURATA DESIGNATION	*RPE 110†			*RPE 131/RPE 132			*RPE 121/RPE 122*		
L (max.)	3.5			5.1			5.1		
H (max.)	3.1			5.1			6.4		
T (max.)	2.5			3.2			3.2		
L.S.	2.5			2.5/5.1			2.5/5.1		
WVDC	50	100	200	50	100	200	50	100	200
CAPACITANCE									
(pF) 1000	1000	1000	1000	1000	1000	1000			
(μF) .01			3300						
		.015				6800			.01
					.033			.36	
.1	.15			.15			.22	.15	
							.47		.068
1.0									
10.0									

LEADED CAPACITORS, NETWORKS, AND HV CAPACITORS

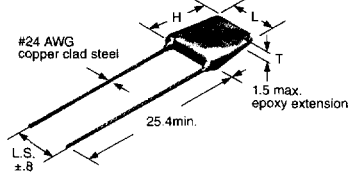
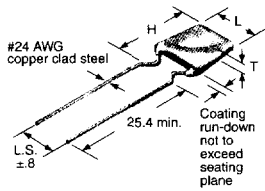
*EIA values available as standard through authorized Murata Electronics Distributors.
 *EIA values available as standard through authorized Murata Electronics Distributors.
 † Bulk only.
 Note: Capacitance values = EIA 6 Step = 10, 15, 22, 33, 47, 68

LEADED CAPACITORS, NETWORKS & HV CAPACITORS
 MONOLITHIC LEADED CAPACITORS
 Z5U TYPE



RPE 123/113/114/117 Series

MURATA DESIGNATION	★ RPE 123				★ RPE 113			★ RPE 114			★ RPE 117†		
	L (max.)	7.6				7.6			10.2			12.7	
H (max.)	7.0				7.6			10.2			12.7		
T (max.)	3.2				4.0			4.0			5.1		
L.S.	5.1				5.1			5.1			10.2		
WVDC	25	50	100	200	50	100	200	50	100	200	50	100	200
CAPACITANCE													
(pF) 1000													
(μF) .01													
.1			N/A	N/A	N/A	.22	.10			.15			
1.0	1.0	.47				.47		1.5	1.0	.68	.33		.47
10.0	1.5	1.0						2.2			2.2	1.5	.68
											4.7	2.2	



Standard package and lead configurations shown. Other variations and tape and reel data are displayed on pages 69-70. All RPE wire is tinned copper clad steel wire. For other requirements, please contact your local sales office.

For requirements not shown, please contact your local Murata Electronics Sales Office.
 ★EIA values available as standard through authorized Murata Electronics Distributors.
 † Bulk only.
 Note: Capacitance values = EIA 6 Step = 10, 15, 22, 33, 47, 68

LEADED CAPACITORS, NETWORKS & HV CAPACITORS
 MONOLITHIC LEADED CAPACITORS
 CONFORMAL COATED RADIAL LEADS - Y5V TYPE RPE 110/131/132/121/122 Series



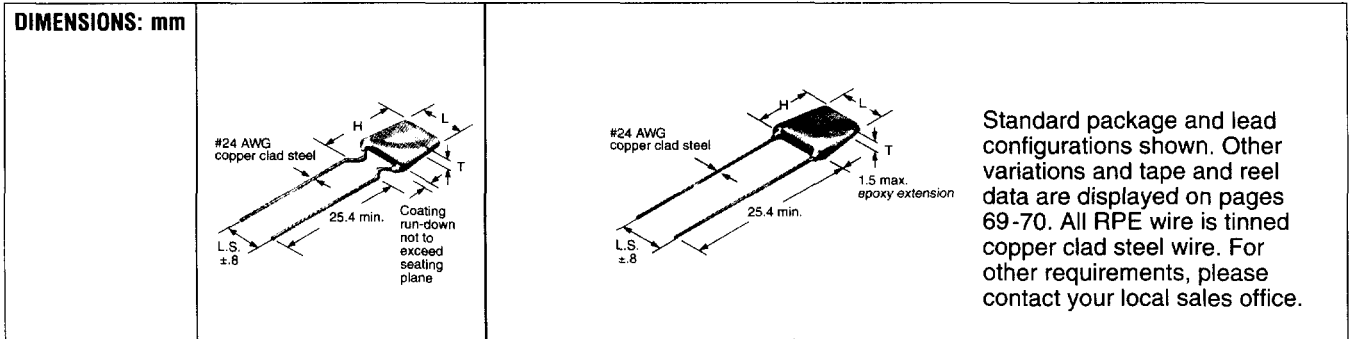
DIMENSIONS: mm									
	*RPE 110†			*RPE 131/RPE 132			*RPE 121/RPE 122		
MURATA DESIGNATION	*RPE 110†			*RPE 131/RPE 132			*RPE 121/RPE 122		
L (max.)	3.5			5.1			5.1		
H (max.)	3.1			5.1			6.4		
T (max.)	2.5			3.2			3.2		
L.S.	2.5			2.5/5.1			2.5/5.1		
WVDC	50	100	200	50	100	200	50	100	200
CAPACITANCE									
(pF) 1000									
(μF) .01	.01	.01	N/A	.01	.01	N/A			N/A
.1	.22	.015		.22	.033		.24	.036	
1.0							.47	.047	
10.0									

LEADED CAPACITORS, NETWORKS, AND HV CAPACITORS

For requirements not shown, please contact your local Murata Electronics Sales Office.
 *EIA values available as standard through authorized Murata Electronics Distributors.
 † Bulk only.
 Note: Capacitance values = EIA 6 Step = 10, 15, 22, 33, 47, 68

*Non-preferred, use RPE 131/132.

LEADED CAPACITORS, NETWORKS & HV CAPACITORS
 MONOLITHIC LEADED CAPACITORS
 CONFORMAL COATED RADIAL LEADS - Y5V TYPE RPE 123/113/114/117 Series



Standard package and lead configurations shown. Other variations and tape and reel data are displayed on pages 69-70. All RPE wire is tinned copper clad steel wire. For other requirements, please contact your local sales office.

MURATA DESIGNATION	★RPE 123			★RPE 113			★RPE 114			★RPE 117†		
L (max.)	7.6			7.6			10.2			12.7		
H (max.)	7.0			7.6			10.2			12.7		
T (max.)	3.2			4.0			4.0			5.1		
L.S.	5.1			5.1			5.1			10.2		
WVDC	50	100	200	50	100	200	50	100	200	50	100	200
CAPACITANCE												
(pF) 1000												
(μF) .01												
.1		.1	N/A	N/A		N/A			N/A	N/A		N/A
		.15			.22							
	.47				.47				.68			
1.0	1.0						1.5	1.0			1.5	
							4.7				2.2	
10.0												

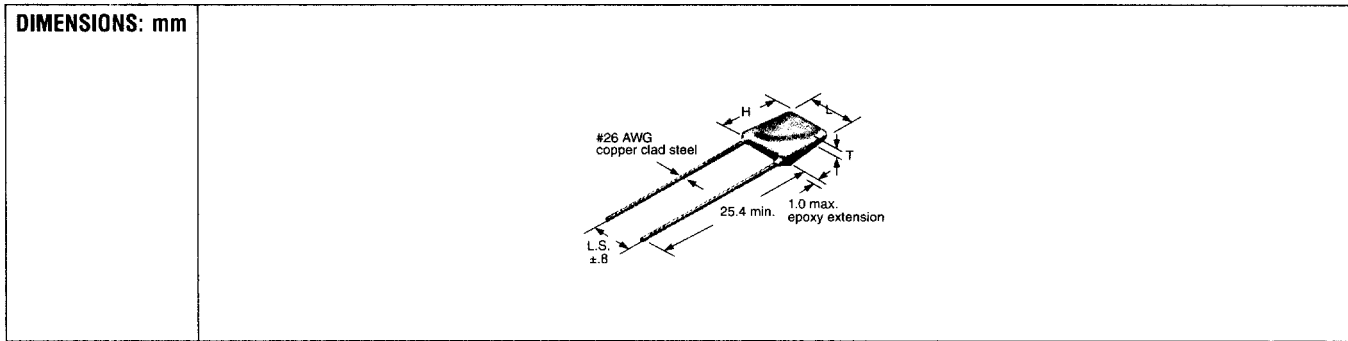
For requirements not shown, please contact your local Murata Electronics Sales Office.
 *EIA values available as standard through authorized Murata Electronics Distributors.
 † Bulk only.
 Note: Capacitance values = EIA 6 Step = 10, 15, 22, 33, 47, 68

LEADED CAPACITORS, NETWORKS & HV CAPACITORS
 MONOLITHIC LEADED CAPACITORS
 TEMPERATURE COMPENSATING TYPE



RPE 110 Series

LEADED CAPACITORS
 NETWORKS, AND
 HV CAPACITORS



MURATA DESIGNATION	★RPE 110	
L (max.)	3.5	
H (max.)	3.1	
T (max.)	2.5	
L.S.	2.5	
WVDC	50	100
TC: N150 (P2H) Cap. Range: (pF) non-preferred	1	1
	360	360
TC: N220 (R2H) Cap. Range: (pF)	1	1
	560	560
TC: N330 (S2H) Cap. Range: (pF) non-preferred	1	1
	470	430
TC: N470 (T2H) Cap. Range: (pF) non-preferred	1	1
	390	510
TC: N750 (U2J) Cap. Range: (pF)	1	1
	1800	820

Note: Capacitance values = EIA 24 Step = 10, 11, 12, 13, 15, 16, 18, 20, 22, 24, 27, 30, 33, 36, 39, 43, 47, 51, 56, 62, 68, 75, 82, 91
 For values under 1.0pF, contact your local Murata Electronics Sales Office.