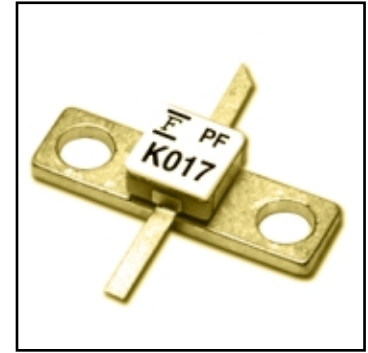


### FEATURES

- High Output Power:  $P_{1dB} = 20.5dBm(Typ.)$
- High Gain:  $G_{1dB} = 7.5dB(Typ.)$
- High PAE:  $\eta_{add} = 26\%(Typ.)$
- Proven Reliability
- Hermetic Metal/Ceramic Package



### DESCRIPTION

The FLK017WF is a power GaAs FET that is designed for general purpose applications in the Ku-Band frequency range as it provides superior power, gain, and efficiency.

Fujitsu's stringent Quality Assurance Program assures the highest reliability and consistent performance.

### ABSOLUTE MAXIMUM RATING (Ambient Temperature $T_a=25^\circ C$ )

Item	Symbol	Condition	Rating	Unit
Drain-Source Voltage	$V_{DS}$		15	V
Gate-Source Voltage	$V_{GS}$		-5	V
Total Power Dissipation	$P_T$	$T_C = 25^\circ C$	1.15	W
Storage Temperature	$T_{stg}$		-65 to +175	$^\circ C$
Channel Temperature	$T_{ch}$		175	$^\circ C$

Fujitsu recommends the following conditions for the reliable operation of GaAs FETs:

1. The drain-source operating voltage ( $V_{DS}$ ) should not exceed 10 volts.
2. The forward and reverse gate currents should not exceed 1.34 and -0.05 mA respectively with gate resistance of 3000 $\Omega$ .
3. The operating channel temperature ( $T_{ch}$ ) should not exceed 145 $^\circ C$ .

### ELECTRICAL CHARACTERISTICS (Ambient Temperature $T_a=25^\circ C$ )

Item	Symbol	Test Conditions	Limit			Unit
			Min.	Typ.	Max.	
Saturated Drain Current	$I_{DSS}$	$V_{DS} = 5V, V_{GS} = 0V$	-	60	90	mA
Transconductance	$g_m$	$V_{DS} = 5V, I_{DS} = 40mA$	-	30	-	mS
Pinch-off Voltage	$V_p$	$V_{DS} = 5V, I_{DS} = 3mA$	-1.0	-2.0	-3.5	V
Gate Source Breakdown Voltage	$V_{GSO}$	$I_{GS} = -3\mu A$	-5	-	-	V
Output Power at 1dB G.C.P.	$P_{1dB}$	$V_{DS} = 10V,$ $I_{DS} = 0.6 I_{DSS} (Typ.),$ $f = 14.5 GHz$	19.5	20.5	-	dBm
Power Gain at 1dB G.C.P.	$G_{1dB}$		6.0	7.5	-	dB
Power-added Efficiency	$\eta_{add}$		-	26	-	%
Noise Figure	NF	$V_{DS} = 3V,$ $I_{DS} = 20mA (Typ.),$ $f = 12 GHz$	-	2.5	-	dB
Associated Gain	$G_{as}$		-	7	-	dB
Thermal Resistance	$R_{th}$	Channel to Case	-	65	130	$^\circ C/W$

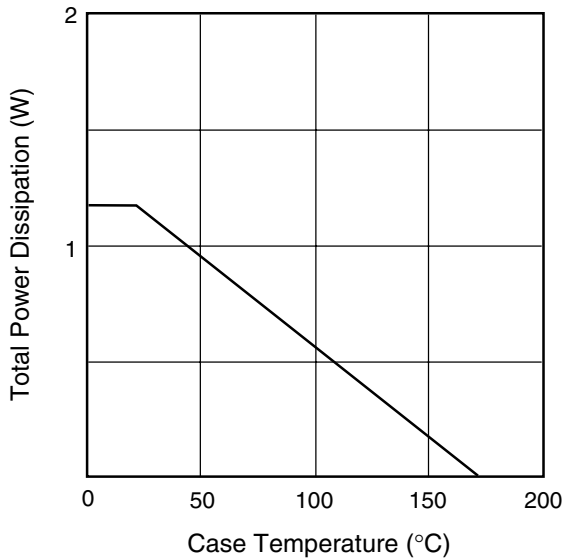
CASE STYLE: WF

G.C.P.: Gain Compression Point

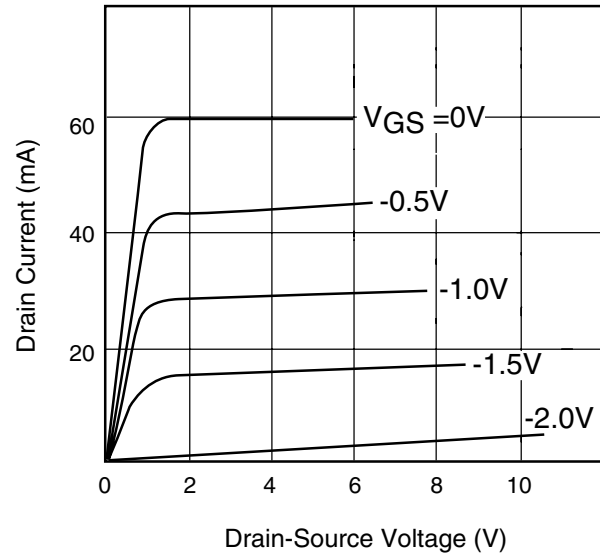
# FLK017WF

X, Ku Band Power GaAs FET

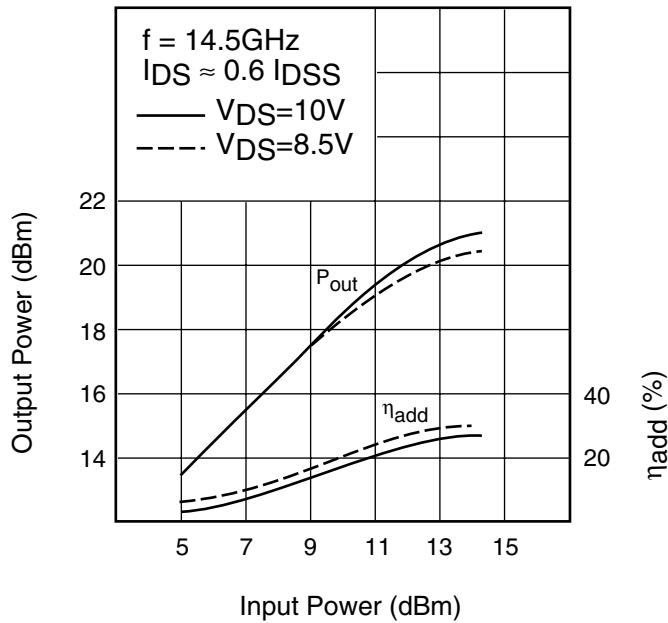
### POWER DERATING CURVE



### DRAIN CURRENT vs. DRAIN-SOURCE VOLTAGE

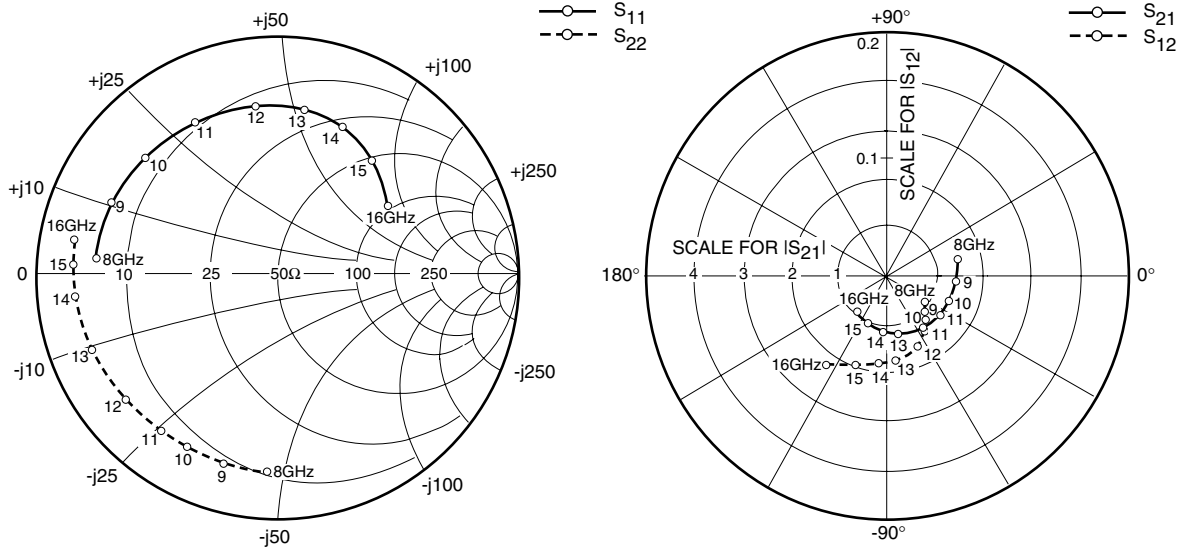


### OUTPUT POWER vs. INPUT POWER



# FLK017WF

## X, Ku Band Power GaAs FET

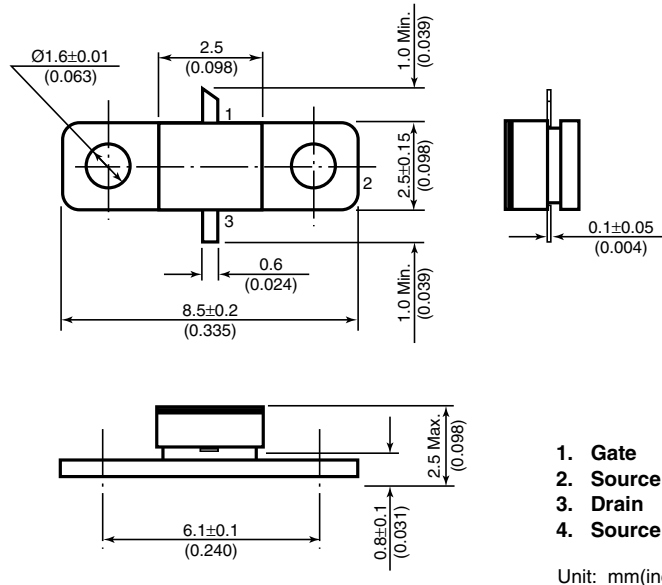


### S-PARAMETERS

$V_{DS} = 10V, I_{DS} = 40mA$

FREQUENCY (MHZ)	S11		S21		S12		S22	
	MAG	ANG	MAG	ANG	MAG	ANG	MAG	ANG
500	.990	-15.9	2.892	166.0	.006	77.2	.852	-7.9
1000	.978	-31.4	2.836	152.3	.011	65.7	.850	-16.3
8000	.750	175.7	1.539	14.1	.038	-35.2	.818	-93.7
9000	.737	157.2	1.436	-3.8	.041	-39.2	.816	-106.0
10000	.727	139.7	1.367	-20.1	.047	-44.7	.812	-116.2
11000	.708	119.9	1.345	-37.4	.055	-53.8	.812	-126.5
12000	.689	98.4	1.307	-57.1	.064	-66.4	.817	-140.3
13000	.679	80.5	1.208	-76.9	.069	-82.5	.823	-157.4
14000	.656	66.3	1.088	-95.4	.071	-96.0	.840	-173.1
15000	.606	50.8	1.003	-112.1	.076	-109.7	.852	177.7
16000	.526	32.0	.976	-129.4	.088	-126.8	.848	170.7

### Case Style "WF" Metal-Ceramic Hermetic Package



For further information please contact:

#### FUJITSU COMPOUND SEMICONDUCTOR, INC.

2355 Zanker Rd.  
San Jose, CA 95131-1138, U.S.A.  
Phone: (408) 232-9500  
FAX: (408) 428-9111  
www.fcsi.fujitsu.com

#### FUJITSU MICROELECTRONICS EUROPE, GmbH

Quantum Devices Division  
Network House  
Norreys Drive  
Maidenhead, Berkshire SL6 4FJ  
Phone: +44 (0)1628 504800  
FAX: +44 (0)1628 504888

#### CAUTION

Fujitsu Compound Semiconductor Products contain **gallium arsenide (GaAs)** which can be hazardous to the human body and the environment. For safety, observe the following procedures:

- Do not put these products into the mouth.
- Do not alter the form of this product into a gas, powder, or liquid through burning, crushing, or chemical processing as these by-products are dangerous to the human body if inhaled, ingested, or swallowed.
- Observe government laws and company regulations when discarding this product. This product must be discarded in accordance with methods specified by applicable hazardous waste procedures.

Fujitsu Limited reserves the right to change products and specifications without notice. The information does not convey any license under rights of Fujitsu Limited or others.

© 1998 FUJITSU COMPOUND SEMICONDUCTOR, INC.  
Printed in U.S.A. FCSI0598M200