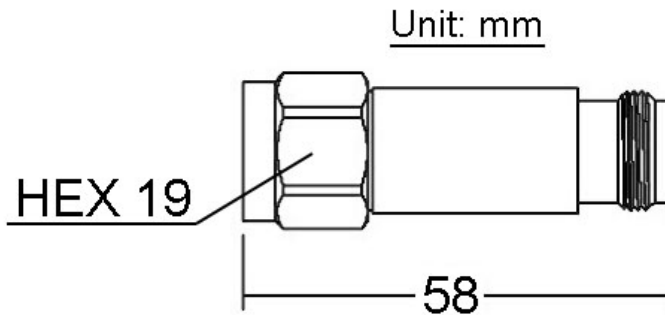


**DATASHEET**

**Electrical & Mechanical Data**



Frequency range	dc - 3 GHz
Attenuation	6 dB (±0.5)
Power handling	2 W (bidirectional)
VSWR	1.22 (max.)
Impedance	50 Ω
Connectors	N plug / jack
Body material	Brass
Body finish	Nickel plated
Center contact	Brass, BeCu / Gold plating
Insulator	PTFE



**Attenuation & Return Loss Vs. Frequency**

